



RC8B4

SCALE 1:8 VEHICLE

KIT

4 WHEEL DRIVE

NITRO POWERED

OFF ROAD

NOT INCLUDED

CLEAR BODY

#80949 RC8B4.1 TEAM KIT

1:8 Scale 4WD Nitro Off Road Competition Buggy Manual



CHAMPIONS by DESIGN

AssociatedElectrics.com



:: Introduction

Thank you for purchasing this Team Associated product. This assembly manual contains instructions and tips for building and maintaining your new Kit. Please take a moment to read through this manual to help familiarize yourself with these steps. We are continually changing and improving our designs; therefore, actual parts may appear slightly different than in the illustrations. New parts will be noted on supplementary sheets located in the appropriate parts bags. Check each bag for these sheets before you start to build.

:: KIT Features

Features in the RC8B4.1 Kit:

- New RC8B4.1 RWB chassis and side guards with tapered chassis design to increase stiffness and predictability
- New low CG and lightweight aluminum front and rear shock towers
- New shorter 16mm front and rear shock bodies for lower CG and lighter weight
- New 6-hole 1.4mm front and 1.5mm taper rear machined shock pistons included with emulsion shock cap seals
- New 3-hole rear suspension arms with updated rear anti-roll bar geometry for both smooth and bumpy tracks
- New durable rear hub design with wide footprint base, and tuneable 3mm carbon fiber hub towers
- New blue aluminum front upper arm mount for added durability
- New molded RC8B4.1 front bumper with optimized profile for bumpy transitions
- New 47T machined spur gear
- 13-44 Ring and Pinion Bevel Gear Set
- 92mm universal driveshafts with 17mm outdrives
- Updated Soft Blend suspension arms for maximum durability in cold weather
- New +1 aluminum steering block arms for sharper steering on low grip
- Innovative new pivot ball front suspension geometry improves steering balance / provides predictable handling in all conditions
- RC8B4 8° steering blocks are paired with a wider upper suspension arm pivot for increased stability and consistent steering through the entire steering throw
- RC8B4 gearboxes are included in the latest hard material used on RC8T4:
 - Front gearbox features a 3.5° inclined pinion gear angle to straighten the center driveshaft for increased drivetrain efficiency and reduced phasing and vibration
 - Both gearboxes feature large flanged bearings resulting in longer life of bearings and ring and pinion gears
- Latest version RC8B4 fuel tank with:
 - Flexible rubber lid puller
 - Updated spring for tight seal between lid and tank
- RC8B4 rear chassis brace has several design features and flex options:
 - Rear brace is mounted centrally to the gearbox, and has 2 two screw locations through the chassis to tune flex
- RC8B4 front upper suspension arms, now in soft blend material
 - Includes an optional molded "wing" insert for increased front-end downforce
- RC8B4 front lower suspension arms, now in soft blend material
 - Optional arm inserts mount to the top only
- RC8B4 rear wing mount has adjustable wing angle shims, significant strength improvements, an aerodynamic shape, and extra clearance for shock position adjustment
 - Two wing height options on the rear shock tower.

:: Additional

Your new RC8B4.1 Kit comes as a kit. There are some items you will need to complete your kit (refer to website for suggestions):

- 4.8-7.4v receiver battery (Flat style NiMH, Flat style LiPo, Flat style LiFe)
- 2 or 3 channel radio/transmitter set with switch (2.4GHz recommended)
- Model car fuel (20-30% nitro recommended)
- .21 class rear exhaust engine
- 1:8 scale buggy wheels / tires
- Polycarbonate-specific paint
- CA (cyanoacrylic) glue - (#1597)
- Throttle and Steering servos
- Transmitter batteries
- Starter box - (#1751)
- Exhaust system
- Fuel bottle - (#1747)
- Reamer / hole punch
- Thread-locking compound - (#1596)
- Glow igniter - (#27377)
- Needle-nose pliers
- Ride height gauge
- Hobby knife

:: Other Helpful Items

- Silicone Shock/Diff Fluids (Refer to website for complete listings)
- Shock Pliers
- Reamer / Hole Punch - (#1499)
- FT Hex Wrenches - (#1518)
- Wire Cutters
- Body Scissors (AE #1737)
- FT Nut Drivers - (#1519)
- Calipers or a Precision Ruler















Associated Electrics, Inc.
21062 Bake Parkway
Lake Forest, CA 92630


















Customer Service
Tel: 949.544.7500
Fax: 949.544.7501

:: Hardware - 1:1 Scale View







Flat Head (fhcs)

	2.5x6mm (4675)
	2.5x8mm (31448)
	3x5mm (31540)
	3x6mm (31541)
	3x8mm (25201)
	3x10mm (25202)
	3x12mm (25203)
	3x14mm (89208)
	3x30mm (89212)
	4x10mm (81262)
	4x12mm (89214)
	4x14mm (89217)
	4x16mm (81263)
	4x20mm (81264)






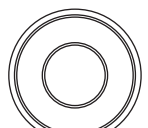
Button Head (bhcs)

	2.5x6mm (31520)
	2.5x8mm (31521)
	2.5x18mm (81259)
	3x6mm (31531)
	3x8mm (31532)
	3x10mm (25211)
	3x12mm (89202)
	3x14mm (25187)
	3x16mm (89203)
	3x18mm (2308)
	3x20mm (25188)
	3x22mm (25189)
	3x24mm (89204)
	4x14mm (81260)
	4x16mm (81261)








Set Screws

	3x3mm (25225)
	3x6mm (81257)
	3x10mm (4671)
	3x12mm (81258)
	4x4mm (7732)
	5x4mm (89221)






Ball Bearings

	5x8x2.5mm (8680)
	5x10x4mm (91560)
	6x10mm (31404)
	6x13x5mm flanged (91559)
	8x16x5mm (91564)
	8x16x5mm flanged (91565)



Socket Head (shcs)

	2x5mm (31511)
	2x16mm (7184)
	3x10mm (25620)
	3x12mm (89454)
	3x24mm (89225)
	3x26mm (89226)
	3x28mm (89227)

LP Socket Head (lp shcs)

	3x6mm (41089)
	3x10mm (41090)
	3x14mm (41094)
	3x16mm (41093)
	3x20mm (41091)

Nuts (lock/plain)

	M3 Nut (91477)
	M3 Alum. Locknut, Blue (31550)
	M3 Locknut, Black (25215)
	M3 Locknut w/Flange (25612)
	FT 3mm Locknuts, Blue(25392)
	FT M4 Locknut, Blue (31551)
	M4 Locknut, Serrated (91738)

:: Table of Contents

1..... Cover	16 - 18.....Rear End Build (Bags 7.1, 7.2, 7.3)
2..... Introduction	19.....Rear Hubs Build (Bags 8.1, 8.2)
3..... 1:1 Hardware "Fold Out"	20 - 21.....Center Bulkhead Build (Bag 9.1)
4..... Table of Contents	21 - 22.....Linkages Build (Bag 10.1)
5 - 7.....Differentials Build (Bags 1.1, 1.2)	22 - 23.....Radio Tray Build (Bag 11.1)
7 - 8.....Shocks Build (Bag 2.1)	23 - 26.....Clutch / Filter Build (Bags 12.1, 12.2)
9.....Turnbuckles Build (Bags 3.1, 3.2)	26 - 27.....Fuel Tank Build (Bags 13.1, 13.2)
10 - 11.....Steering / Chassis Build (Bag 4.1)	27 - 28.....Wheels / Tires / Body (Misc.)
11 - 14.....Front Gearbox Build (Bags 5.1, 5.2, 5.3)	29..... Droop Settings
14 - 15.....Steering Blocks Build (Bags 6.1, 6.2)	30..... Back Cover

:: Notes



This symbol indicates a special note or instruction in the manual.



This symbol indicates a specific build order in the manual.



This symbol indicates a Racers Tip.



There is a 1:1 hardware foldout page in the front of the manual. To check the size of a part, line up your hardware with the correct drawing until you find the exact size. Each part in the foldout has a number assigned to it for ordering replacement parts.

**Associated Electrics, Inc.
21062 Bake Parkway
Lake Forest, CA 92630**



**Customer Service
Tel: 949.544.7500
Fax: 949.544.7501**

:: Differential Build (Front and Rear) - Bag 1.1, 1.2 - Step 1

#6588 black grease

81385 Outdrive O-Ring 5.8x1.9mm

81379 Diff Case

91564 8x16x5 Bearing

81381 Diff Shim 6x8x0.20mm

#6588 black grease

81012 17mm Outdrive

81383 Pin 2.5x12mm

81383 Diff Sun Gear, 18T, LTC

Center Diff HTC Gearset is bagged separately. **DO NOT MIX!**

Save 13.5 shims until install into gearbox

Align pin with groove in sun gear

:: Differential Build (Front and Rear) - Bag 1.1, 1.2 - Step 2

81383 Σ 4 Diff Shim 3.6x12x0.12mm

81383 Σ 4 Diff Planet Gear, 10T, LTC

81383 Σ 2 Diff Crosspin

#6588 black grease

81385 Outdrive O-Ring 5.8x1.9mm

81468 Diff Ring Gear, 44/13 Set

91564 8x16x5 Bearing

81381 Diff Shim 6x8x0.20mm

#6588 black grease

81012 17mm Outdrive

:: Differential Build (Front and Rear) - Bag 1.1, 1.2 - Step 3

81380 Pin 2.5x12mm

81383 Diff Sun Gear, 18T, LTC

81384 Diff Gasket

#6588 black grease

Racer's Tip: Use black grease [#6588] to coat the back side of the diff gasket [i.e. not the entire gasket] before installation!

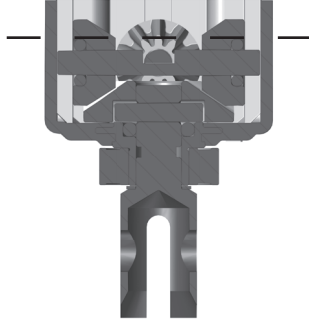
Align pin with groove in sun gear

:: Differential Build (Front and Rear) - Bag 1.1, 1.2 - Step 4



Racer's Tip:

Fill diff above the cross pins, below the planet gears as shown.

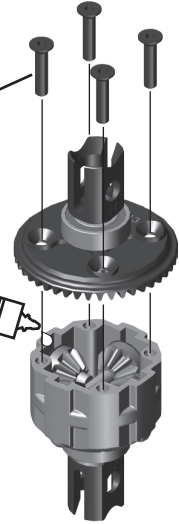


25202 x4
M3x10mm
FHCS



Front Diff Fluid:
15,000cst #5447

Rear Diff Fluid:
10,000cst #5455



:: Differential Build (Center) - Bag 1.1, 1.2 - Step 5



81385
Outdrive
O-Ring
5.8x1.9mm

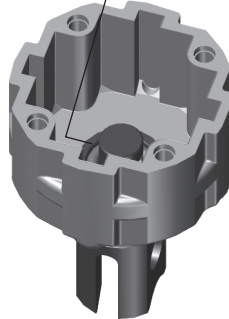
81380
Pin
2.5x12mm



81380
Diff Sun
Gear, 20T,
HTC

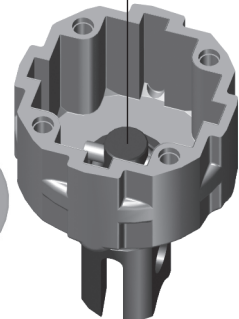
81379
Diff
Case

91564
8x16x5
Bearing



81381
Diff Shim
6x8x0.20mm

81012
17mm
Outdrive,
Center Diff



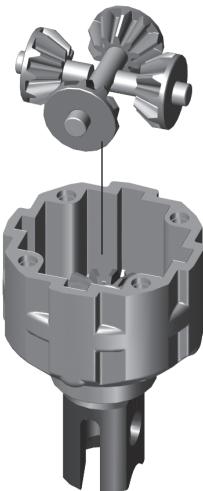
:: Differential Build (Center) - Bag 1.1, 1.2 - Step 6



81380 x4
Diff Planet
Gear, 10T,
HTC



81380 x2
Diff
Crosspin



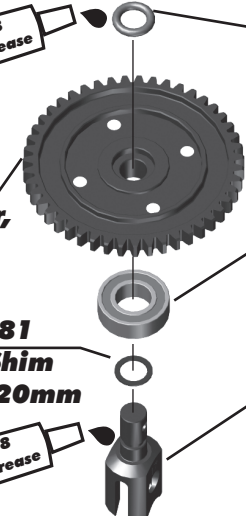
81385
Outdrive
O-Ring
5.8x1.9mm

81596
Spur Gear,
47T

91564
8x16x5
Bearing

81381
Diff Shim
6x8x0.20mm

81012
17mm
Outdrive,
Center Diff



:: Differential Build (Center) - Bag 1.1, 1.2 - Step 7

81380 Pin 2.5x12mm

81380 Diff Sun Gear, 20T, HTC

81384 Diff Gasket

#6588 black grease

Racer's Tip:
Use black grease (#6588) to coat the back side of the diff gasket (i.e. not the entire gasket) before installation!

Align pin with groove in sun gear

:: Differential Build (Center) - Bag 1.1, 1.2 - Step 8

25202 M3x10mm FHCS

Diff Fluid

Center Diff Fluid: 10,000cst #5455

Racer's Tip:
Fill diff above the cross pins, below the planet gears as shown.

:: Shocks Build - Bag 2.1 - Step 1

81597 FT Shock Piston (6x1.4 flat) Front

81598 FT Shock Piston (6x1.5 tapered) Rear

89215 2.5mm Shock Piston Locknut

89278 2.6x6mm Washer

81172 TiN Shock Shaft, 3.5x33.5mm (Front)

81173 TiN Shock Shaft, 3.5x42.5mm (Rear)

81162 Shock Body, 26.5mm (Front)

81163 Shock Body, 36.5mm (Rear)

81185 Shock Body O-Ring

81185 O-Ring Hat Bushing

81188 Shock Body Seal Retainer

81185 O-Ring Spacer

81186 Shock O-Ring

Install pistons taper down

:: Shocks Build - Bag 2.1 - Step 2

Racer's Tip:
Use green slime (#1105) to lube the o-rings before installation!

81190 Shock Boots

81562 Rod End Ball

81452 RC8B3.2 Shock Cap

81621 Shock Rod End
Front: 0
Rear: +4

81512 Shock Cap Insert

91492 M2x4mm BHCS

91492 Gasket (2)

81184 Emulsion Seal (1)

When installing the emulsion seal, make sure it is correctly seated within the shock cap as shown.

:: Shocks Build - Bag 2.1 - Step 3

Fill to top of shock body.

Front Shock Fluid: 45wt #5430

Rear Shock Fluid: 30wt #5422

Tighten to snug, may be a small gap when sealed.

Pro Tip: Tune the front fluid 40wt or 35wt in lower grip conditions

Bleed Procedure:
Remove bleeder screw
Tilt shock so bleed hole is the highest point and slowly compress the shaft.

Stop about 3mm from full compressed, install the screw, and check that the shock is not pressurized. If so, bleed out a small amount more.

:: Shocks Build - Bag 2.1 - Step 4

The springs come with a colored marking pre-installed for easy identification

81221 Spring Collar O-Ring, 20mm

81221 Spring Collar, 20mm

81223 V2 Front Spring, White (5.10lb/in) L70, 9.25T, 1.6D

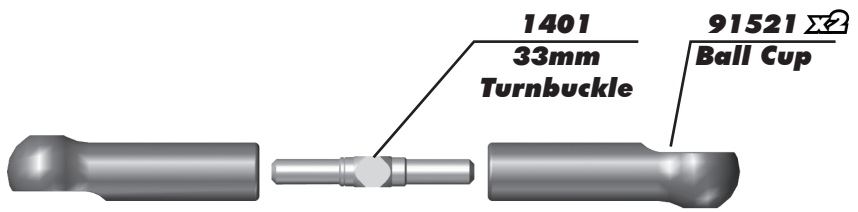
81233 V2 Rear Spring, Pink (3.70lb/in) L86, 12.00T, 1.6D

81512 Spring Cup (1)

25211 M3x10mm BHCS (2)

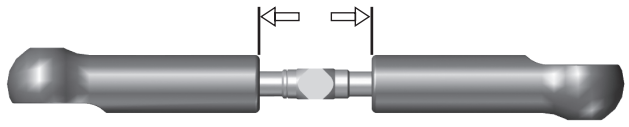
:: Turnbuckles Build - Bag 3.1 - Step 1

Steering Servo Turnbuckle



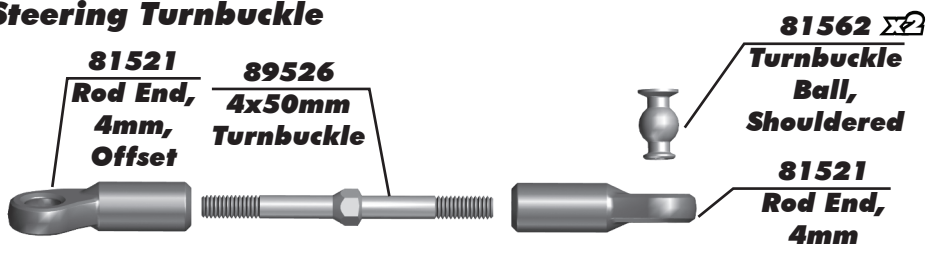
!
Set aside until page 22

15.00mm (0.59")



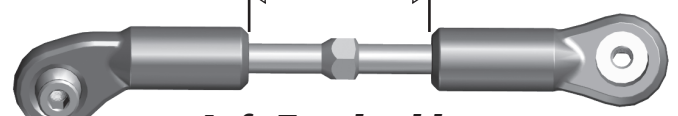
:: Turnbuckles Build - Bag 3.1 - Step 2

Steering Turnbuckle

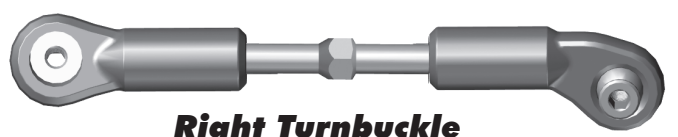


!
Note the direction of turnbuckle ball

24.20mm (0.952")



Left Turnbuckle

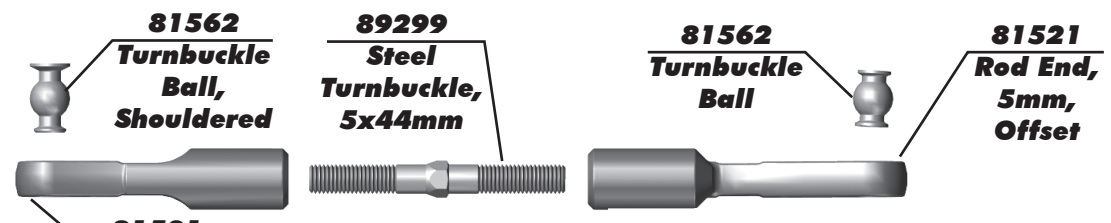


Right Turnbuckle

!
Set aside until page 15

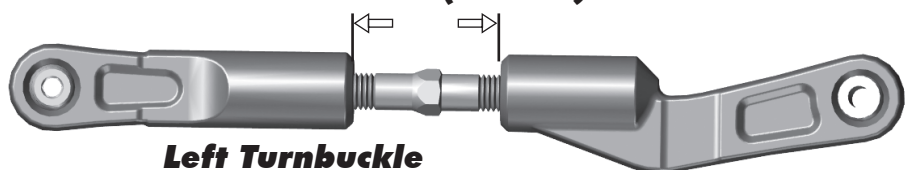
:: Turnbuckles Build - Bag 3.1 - Step 3

Rear Hub Turnbuckle

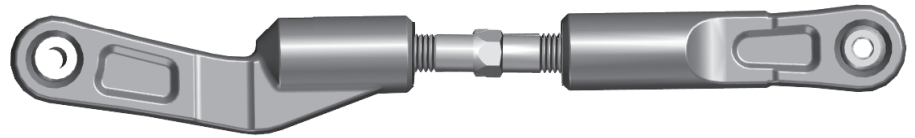


!
Set aside until page 19

19.70mm (0.775")

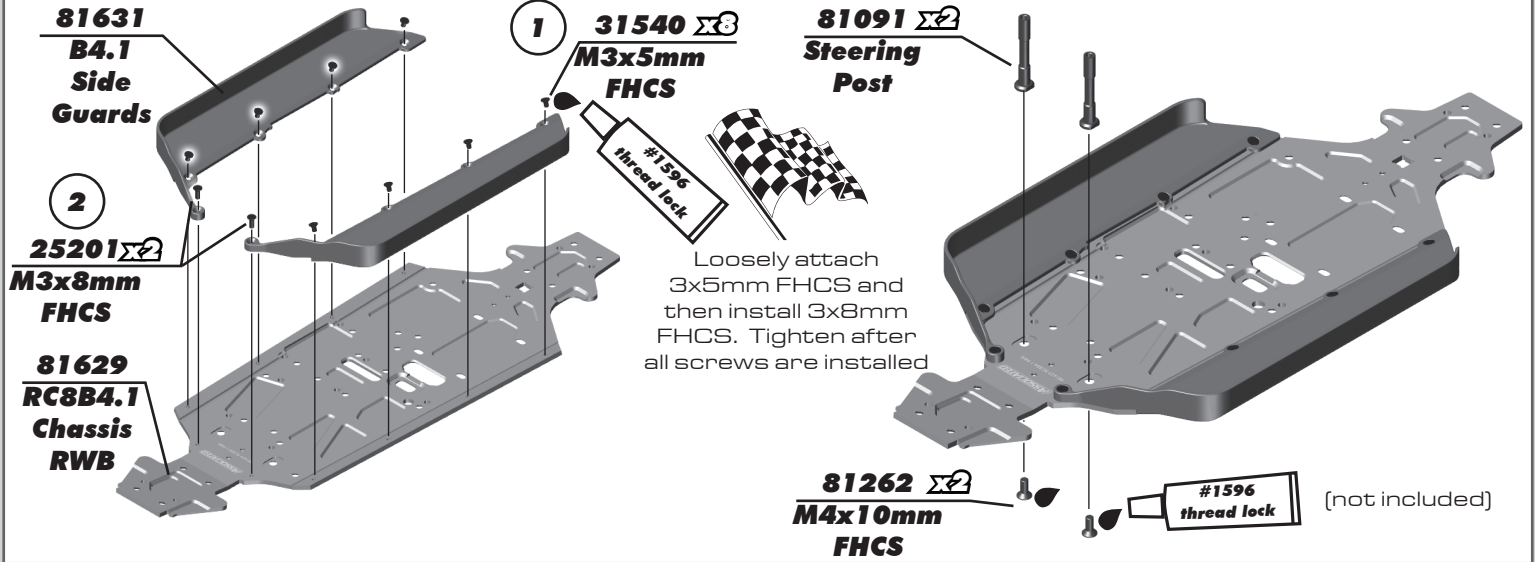


Left Turnbuckle

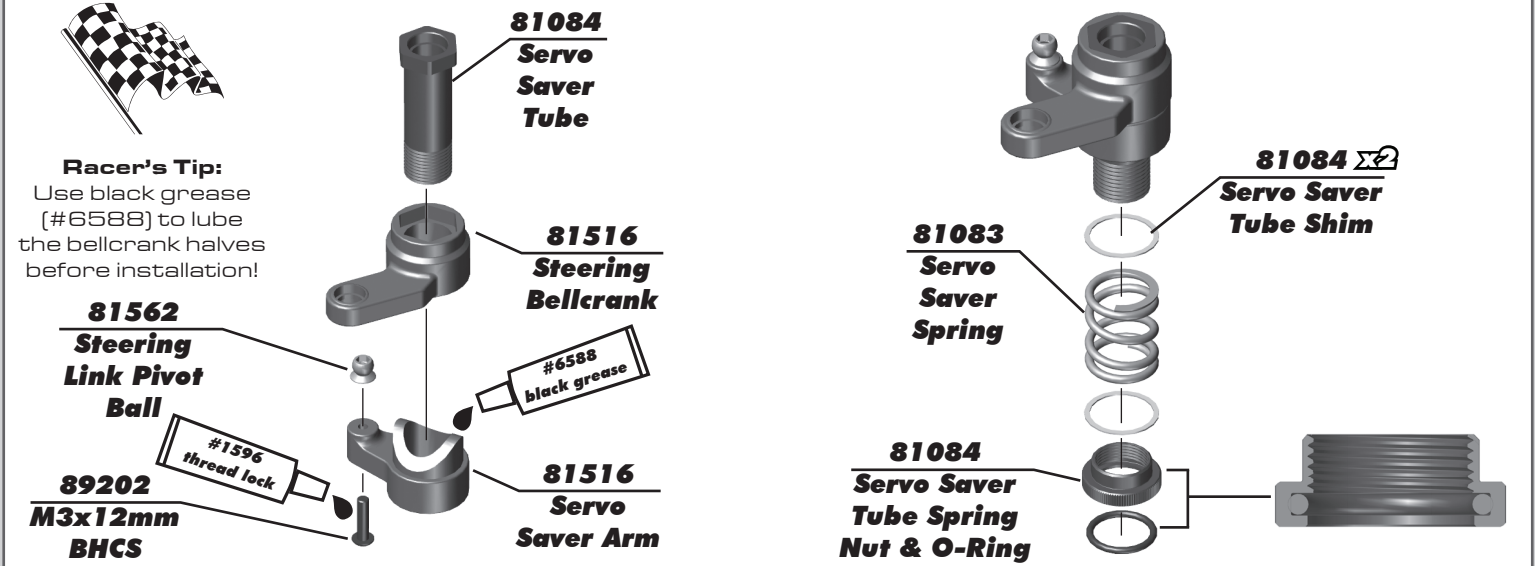


Right Turnbuckle

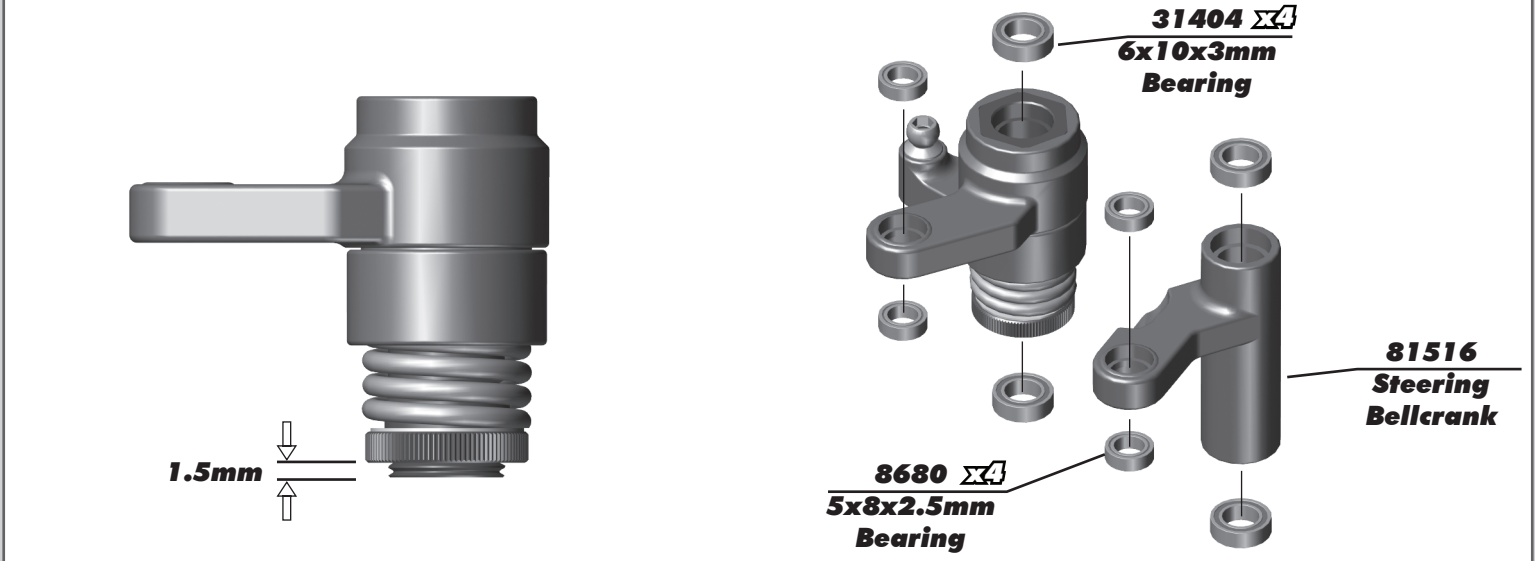
:: Steering / Chassis Build - Bag 4.1 - Step 1



:: Steering / Chassis Build - Bag 4.1 - Step 2



:: Steering / Chassis Build - Bag 4.1 - Step 3



:: Steering / Chassis Build - Bag 4.1 - Step 4

25201 $\Sigma 2$
3x8mm FHCS

81518
Steering Rack

#1596
thread lock

81517 $\Sigma 2$
Steering Bellcrank Nut

3mm hex wrench fits bellcrank nut hex.

:: Front Gearbox Build - Bag 5.1, 5.2, 5.3 - Step 1

81510
Gearbox, (Inboard)

89221
5x4mm Set Screw

#1596
thread lock

81564
Dogbone Outdrive, Front

81468
Diff Pinion Gear, 44/13 set

81510
Dust Cap

4675
2.5x6mm FHCS

91559 $\Sigma 2$
6x13x5mm Flanged Bearing

Racer's Tip:
De-grease and clean set screw and cup for best thread lock.

:: Front Gearbox Build - Bag 5.1, 5.2, 5.3 - Step 2

81381
Diff Shim
13.5x15.8x0.20mm

25620 $\Sigma 2$
M3x10mm SHCS

81510
Anti-Roll Bar Cap

81510
Gearbox, (Outboard)

#6588
black grease

STEP 1

STEP 2

Step 1:
Add shims on the ring gear side to TIGHTEN gear mesh. Subtract shims on this side to LOOSEN gear mesh.
NOTE:
Start 1x Thick 0.2mm

Step 2:
Add or subtract shims here to finalize diff side to side play once gear mesh is set from Step 1.
Recommended diff "side-to-side" clearance (gearbox assembly) 0.10 - 0.25mm.
Start with 1 x 0.1mm.

Note:
0.1 mm shim can be used for fine tuning of gear mesh

:: Front Gearbox Build - Bag 5.1, 5.2, 5.3 - Step 3

Kit Setup:



81520 x2

Arm Mount Insert, Center

81567

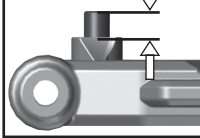
Arm Mount B

81260 x2

M4x14mm BHCS

Droop Screw:

Kit Setup:
1.5mm



Start here, adjust to 101mm shock length.

Build left and right side!

81446 x2

Suspension Arm Shim

81566

Arm Mount A

81260 x2

M4x14mm BHCS

81520 x2

Arm Mount Insert, Center

81641 x2

Hinge Pin

89317

Droop Screw

81636

Front Lower Arm, Soft

:: Front Gearbox Build - Bag 5.1, 5.2, 5.3 - Step 4

81512 x2

Anti-Roll Bar Link

81585

Anti-Roll Bar Pivot

81562

Rod End Ball



Note direction

89203 x2

M3x16mm BHCS

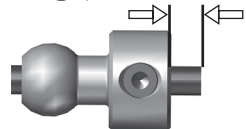
:: Front Gearbox Build - Bag 5.1, 5.2, 5.3 - Step 5



Center the anti-roll bar collet on the anti-roll bar; then tighten the 3x3mm set screw.



Front anti-roll bar gap: 2.0mm



81129

(Front) Anti-Roll Bar, 2.2mm

81585
Anti-Roll Bar Collet

25225
3x3mm Set Screw



Center!

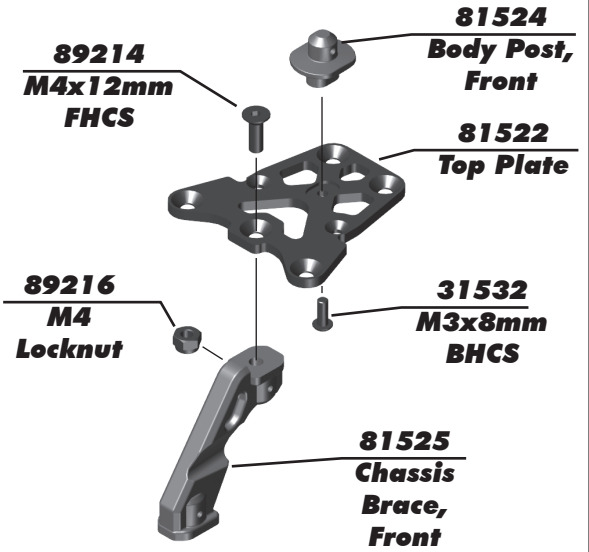
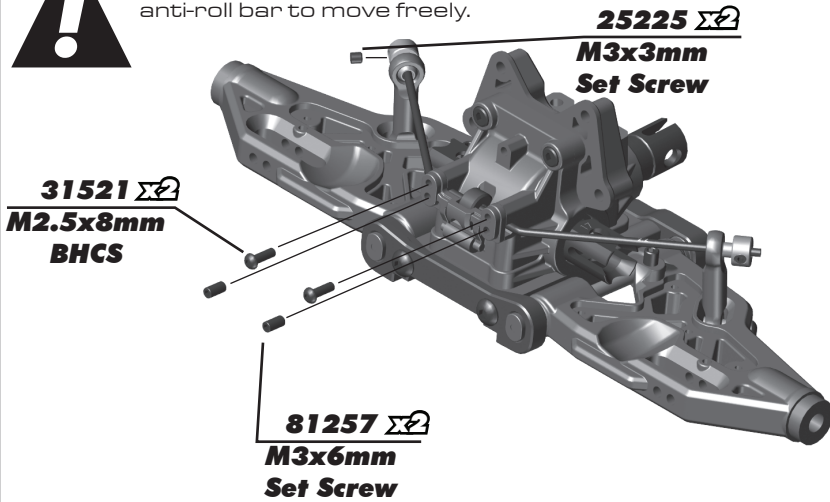


Note direction

:: Front Gearbox Build - Bag 5.1, 5.2, 5.3 - Step 6

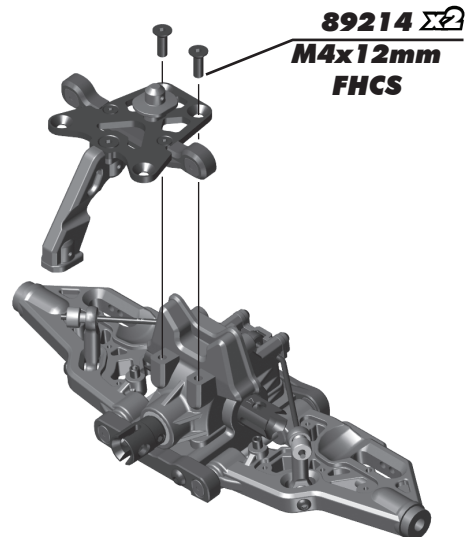
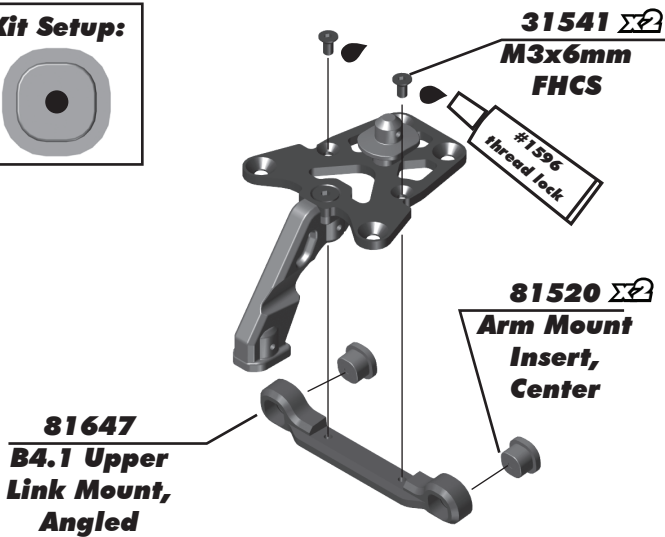


Tighten 3x6mm set screws just enough to still allow the anti-roll bar to move freely.



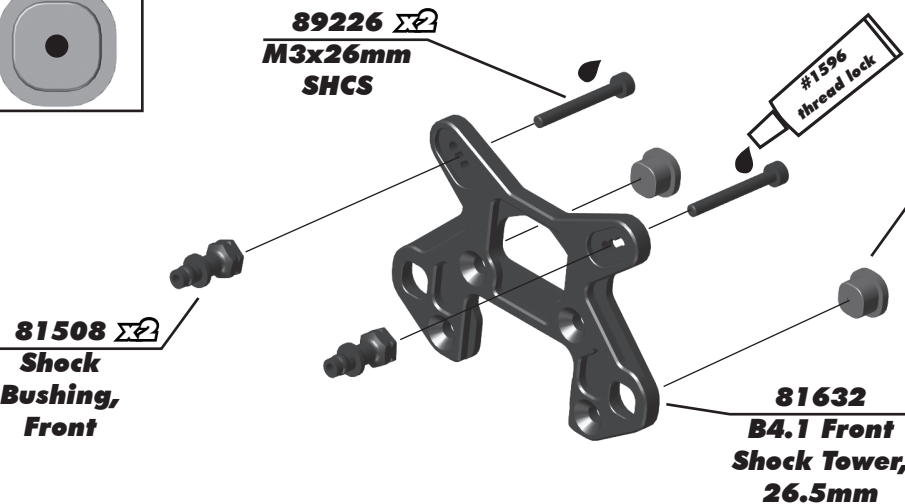
:: Front Gearbox Build - Bag 5.1, 5.2, 5.3 - Step 7

Kit Setup:

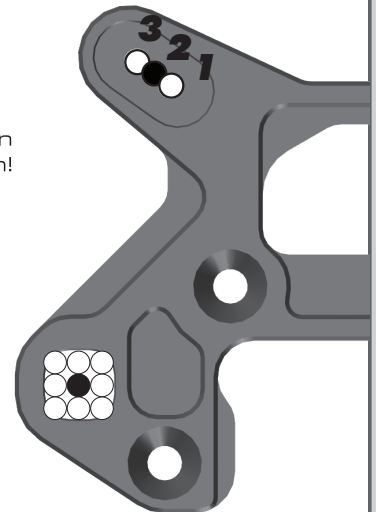


:: Front Gearbox Build - Bag 5.1, 5.2, 5.3 - Step 8

Kit Setup:

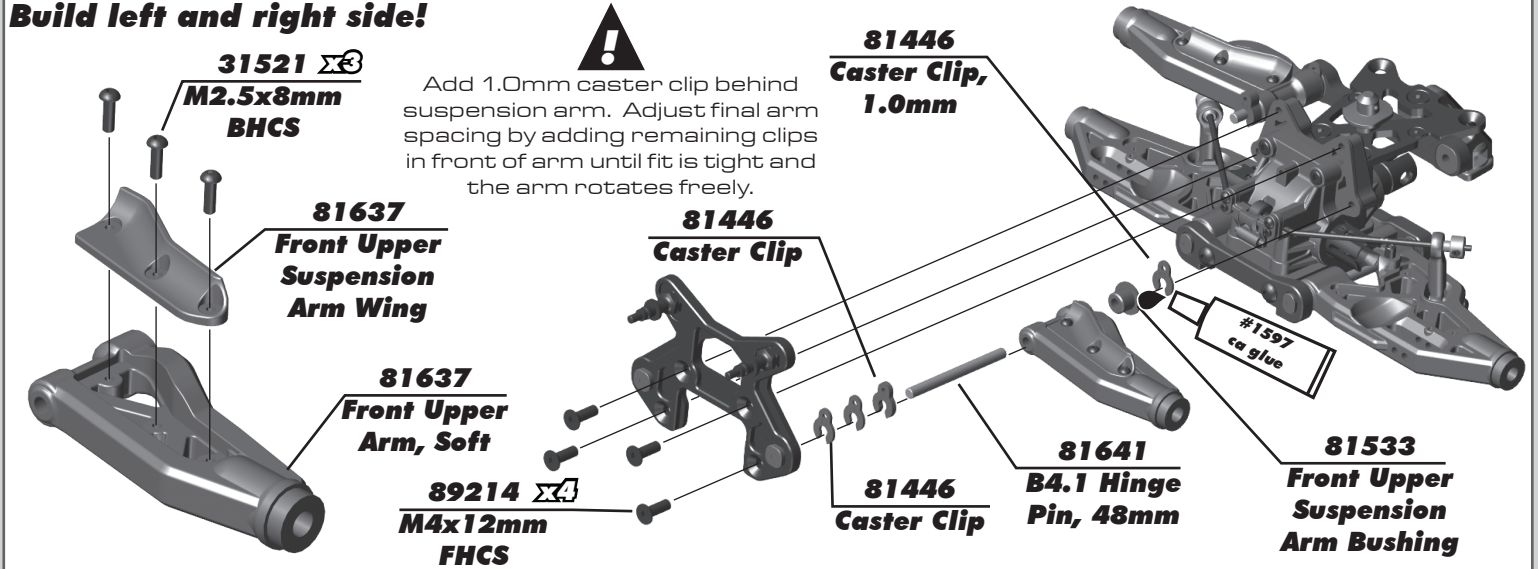


!
Install arm
mount inserts in
direction shown!



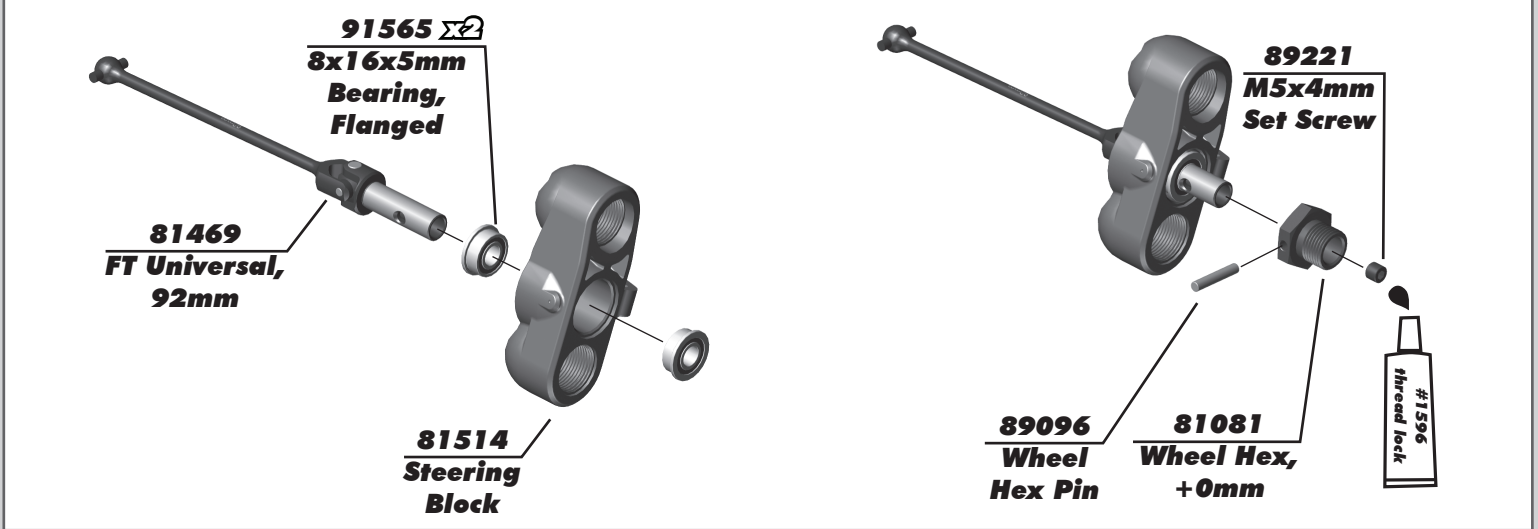
:: Front Gearbox Build - Bag 5.1, 5.2, 5.3 - Step 9

Build left and right side!



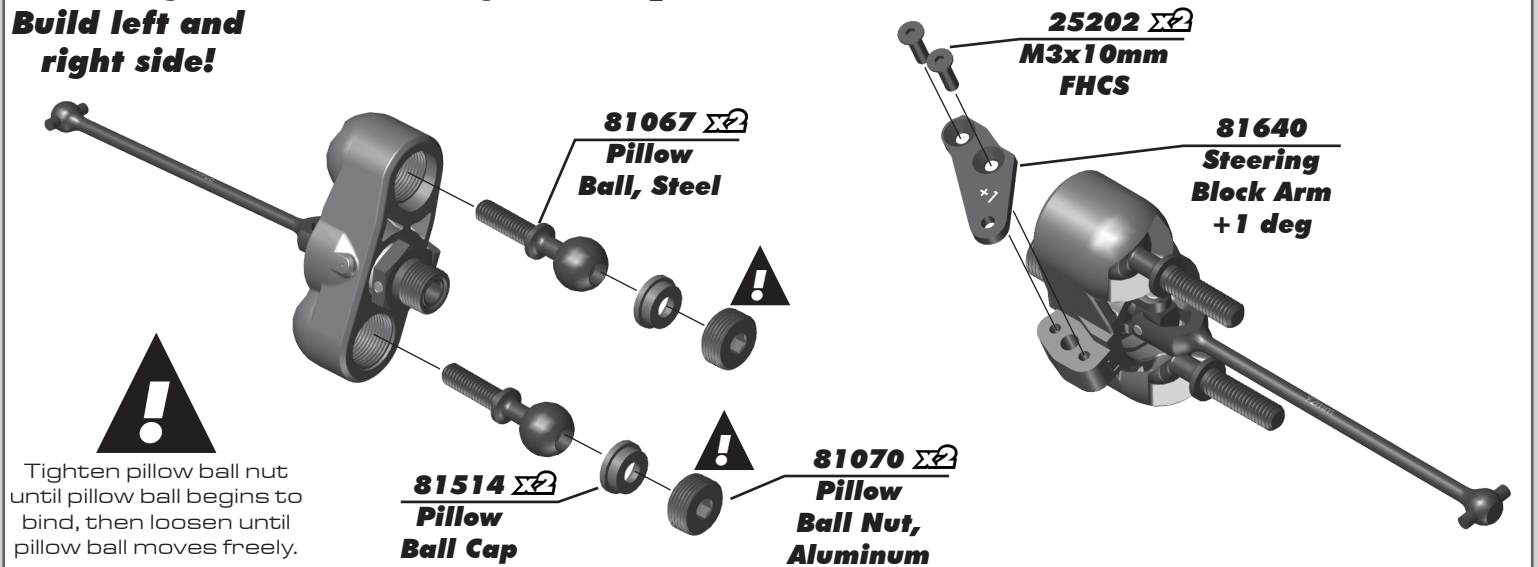
:: Steering Blocks Build - Bag 6.1 - Step 1

Build left and right side!



:: Steering Blocks Build - Bag 6.1 - Step 2

Build left and right side!



:: Steering Blocks Build - Bag 6.1 - Step 3

81056 $\Sigma 2$
Suspension Arm Endcap

81072
Pillow Ball Shim (1.4mm)

81072
Pillow Ball Shim (0.7mm)

25620 $\Sigma 2$
M3x10mm SHCS

#1596
Thread Lock

Pillow Ball Shims

0.35mm 0.7mm 1.4mm

:: Steering Blocks Build - Bag 6.1 - Step 4

81262 $\Sigma 2$
M4x10mm FHCS

#1596
thread lock

89216
M4 Locknut

31532 $\Sigma 2$
M3x8mm BHCS

81643
B4.1 Front Bumper

89214
M4x12mm FHCS

Kit Setup:

1 2 3 TOP 1 2 3

81264 $\Sigma 2$
M4x20mm FHCS

89217 $\Sigma 2$
M4x14mm FHCS

!
For attaching steering link to steering rack

:: Steering Blocks Build - Bag 6.1 - Step 5

Kit Setup:
Mount the front shock in the outside hole on the front arm.

A B

81257
M3x6mm Set Screw

25612
M3 Locknut W/ Flange

81509
Shock Pin

:: Rear End Build - Bag 7.1, 7.2, 7.3 - Step 1



Racer's Tip:
Use black grease (#6588) to lube the diff pinion before installation!

81468
Diff Pinion
Gear, 44/13
set

81543
Gearbox,
(Inboard)

81565
Dogbone
Outdrive,
Rear

#1596
thread lock

89221
M5x4mm
Set Screw

91559 $\Sigma 2$
6x13x5mm
Bearing



Racer's Tip:
De-grease and clean set screw and cup for best thread lock.

81543
Dust Cap

4675
M2.5x6mm
FHCS

:: Rear End Build - Bag 7.1, 7.2, 7.3 - Step 2

81381
Diff Shim
13.5x15.8x0.20mm



81543
Gearbox,
(Outboard)

25620 $\Sigma 2$
M3x10mm
SHCS

#6588
black grease



81543
Anti-Roll
Bar Cap

Step 1:
Add shims on the ring gear side to TIGHTEN gear mesh. Subtract shims on this side to LOOSEN gear mesh.
NOTE:
Start 1x Thick 0.2mm

Step 2:
Add or subtract shims here to finalize diff side to side play once gear mesh is set from Step 1. Recommended diff "side-to-side" clearance [gearbox assembly] 0.10 - 0.25mm. Start with 1 x 0.1 mm.

Note:
0.1 mm shim can be used for fine tuning of gear mesh

:: Rear End Build - Bag 7.1, 7.2, 7.3 - Step 3

Kit Setup:



81454
Arm Mount,
HRC, Narrow
(C)

81260 $\Sigma 2$
M4x14mm
BHCS

81520 $\Sigma 2$
Arm Mount
Insert,
Center

:: Rear End Build - Bag 7.1, 7.2, 7.3 - Step 4

Kit Setup:

Droop Screw:
Kit Setup:
1.5mm

81638
B4.1 Rear Suspension Arm, soft

89317
Droop Screw

81641
Hinge Pin

81260
M4x14mm BHCS

81455
Arm Mount, HRC, Narrow (D)

81520
Arm Mount Insert, Center

81446
Suspension Arm Shim

81512
Anti-Roll Bar Link

81585
Anti-Roll Bar Pivot

81648
PivotBall, Offset

:: Rear End Build - Bag 7.1, 7.2, 7.3 - Step 5

!

Rear Anti-Roll Bar Tuning:
Ball wide = more rigid,
less rotation [*kit]
Ball narrow = more soft,
more rotation

25188
M3x20mm BHCS

81140
(Rear) Anti-Roll Bar, 2.5mm

81150
Anti-Roll Bar Collet

25225
3x3mm Set Screw

Center!

:: Rear End Build - Bag 7.1, 7.2, 7.3 - Step 6

!

Pivot ball wide = flush [*kit]
Pivot ball narrow = 4mm

25225
M3x3mm Set Screw

31521
M2.5x8mm BHCS

81257
M3x6mm Set Screw

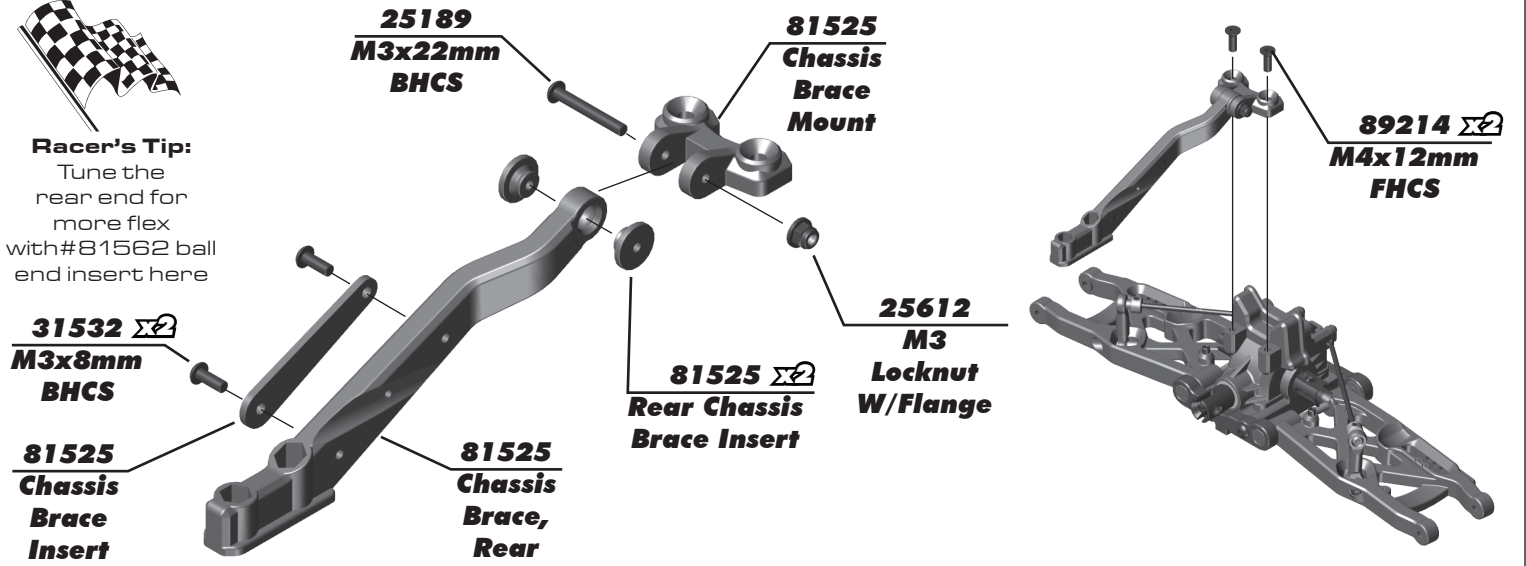
!

Tighten 3x6mm set screws just enough to still allow the anti-roll bar to move freely.

:: Rear End Build - Bag 7.1, 7.2, 7.3 - Step 7

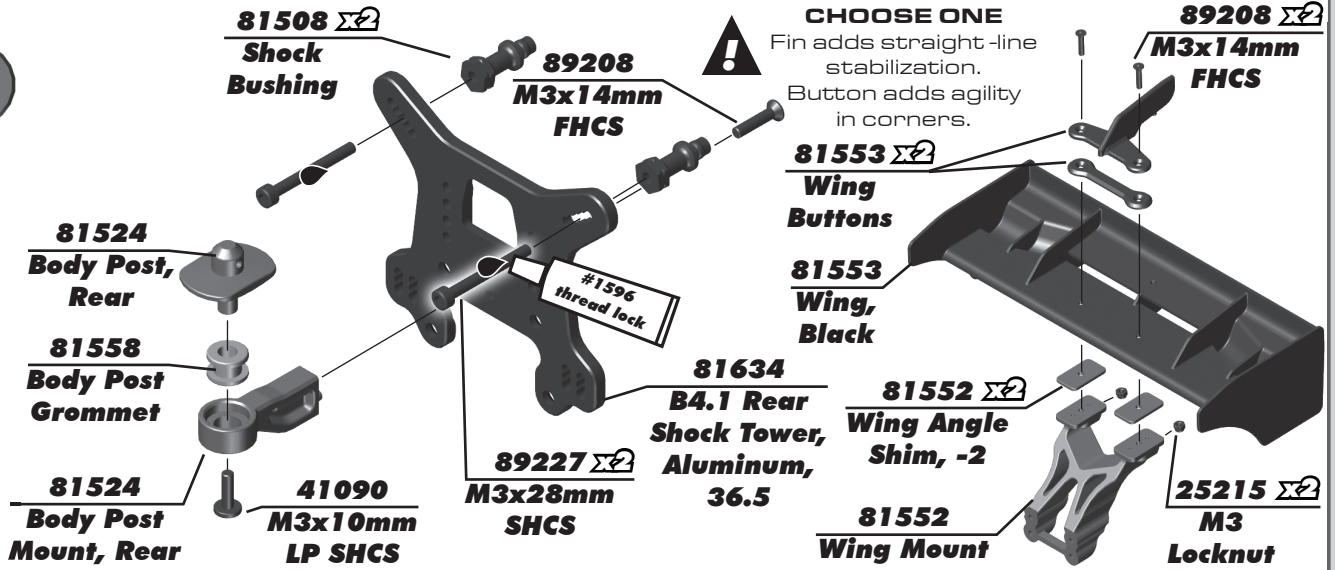
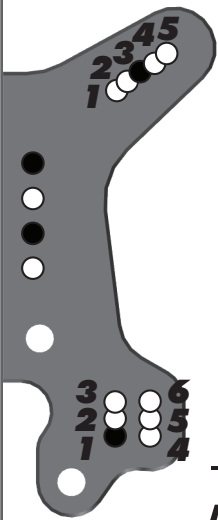


Racer's Tip:
Tune the rear end for more flex with #81562 ball end insert here



:: Rear End Build - Bag 7.1, 7.2, 7.3 - Step 8

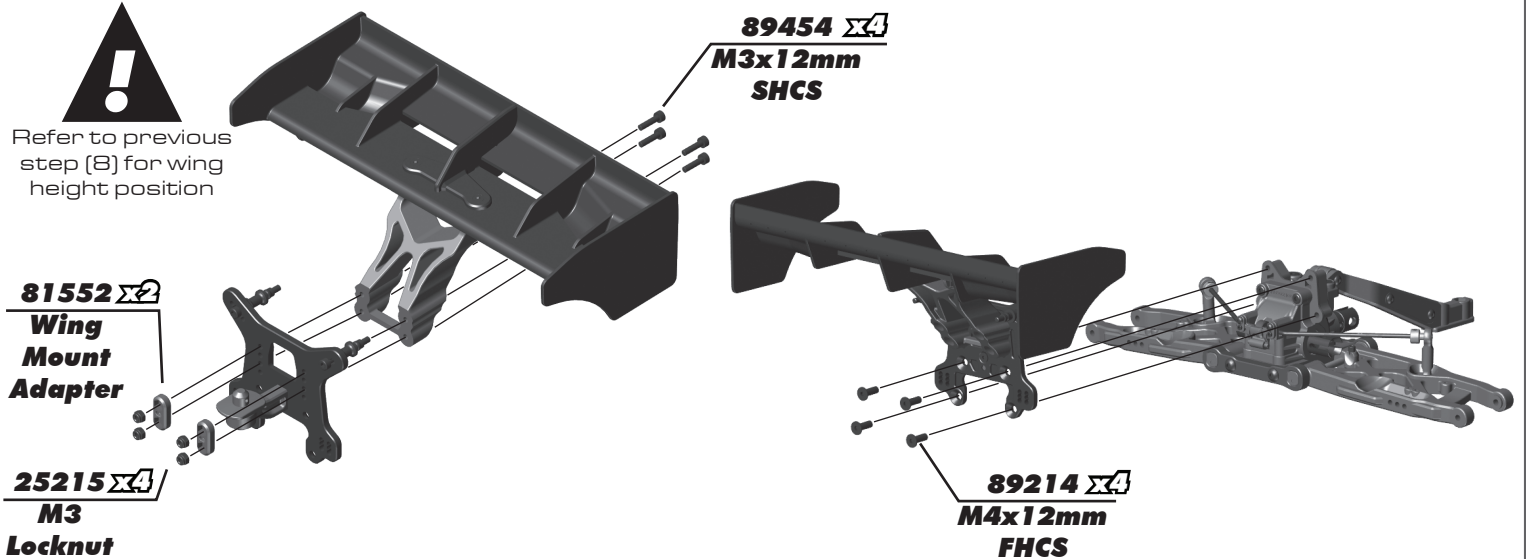
Kit Setup:



:: Rear End Build - Bag 7.1, 7.2, 7.3 - Step 9



Refer to previous step (8) for wing height position



:: Rear Hubs Build - Bag 8.1, 8.2 - Step 1

Build two!

81642 $\Sigma 2$
B4.1 Rear Hub Plates (standard)

25188 $\Sigma 2$
M3x20mm BHCS

25188
B4.1 Rear Hub Plates (high/low)

25215 $\Sigma 2$
M3 Locknut

91564 $\Sigma 2$
8x16x5mm Bearing



Tighten set screw before camber link installation.

25215 $\Sigma 2$
3x6mm Set Screw



Racer's Tip:

Use a 2mm drill to punch thru the thin wall between set screws and the hinge pin. Tighten after installation to remove slop.

81081
Wheel Hex, +0mm Wide

89221
5x4mm Set Screw

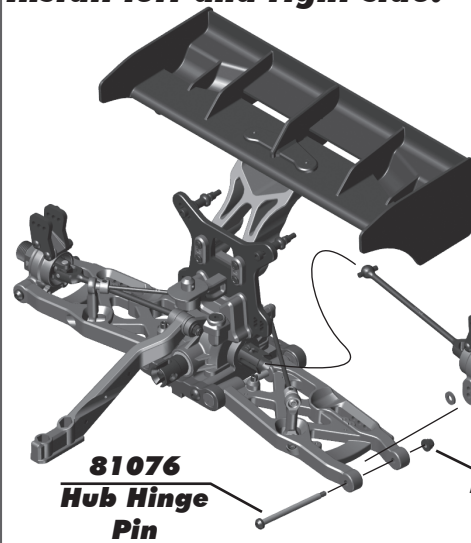
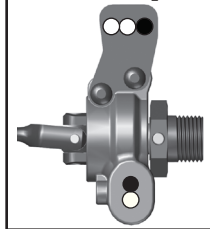
89096
Wheel Hex Pin

#1596 thread lock

:: Rear Hubs Build - Bag 8.1, 8.2 - Step 2

Install left and right side!

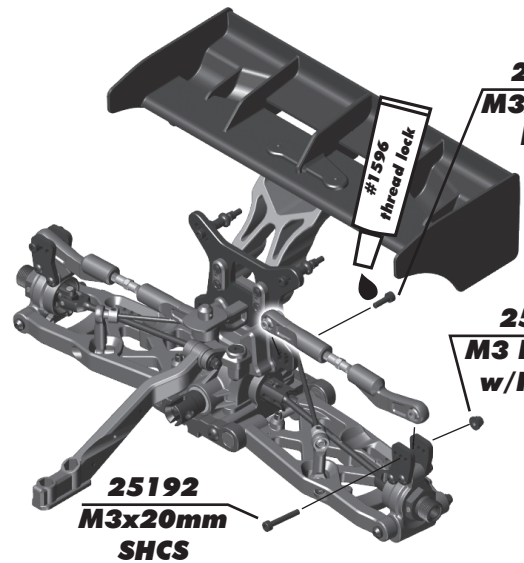
Kit Setup:



81076
Hub Hinge Pin

25612
M3 Locknut w/Flange

81642 $\Sigma 2$
B4.1 Rear Hub Shim, 1mm



25211
M3x10mm BHCS

#1596 thread lock

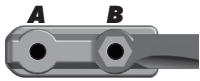
25612
M3 Locknut w/Flange

25192
M3x20mm SHCS

:: Rear Hubs Build - Bag 8.1, 8.2 - Step 3

Tuning Tip:

Remove screw A for "soft/short" flex configuration.



89216 $\Sigma 2$
M4 Locknut

89214 $\Sigma 2$
M4x12mm FHCS

Kit Setup:

Mount the rear shock in the outside hole on the rear arm.

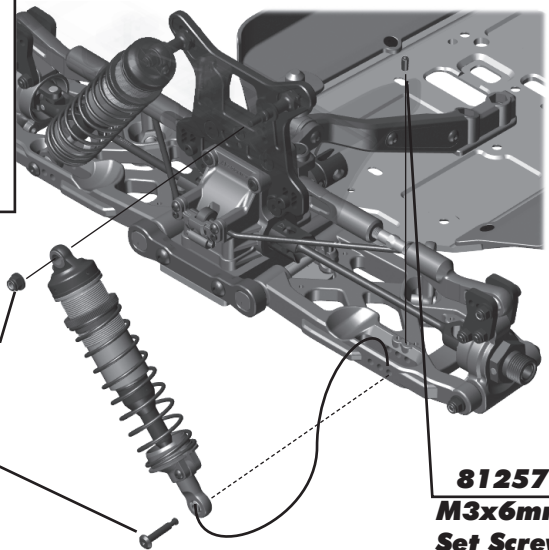


81264 $\Sigma 2$
M4x20mm FHCS

89217 $\Sigma 2$
M4x14mm FHCS

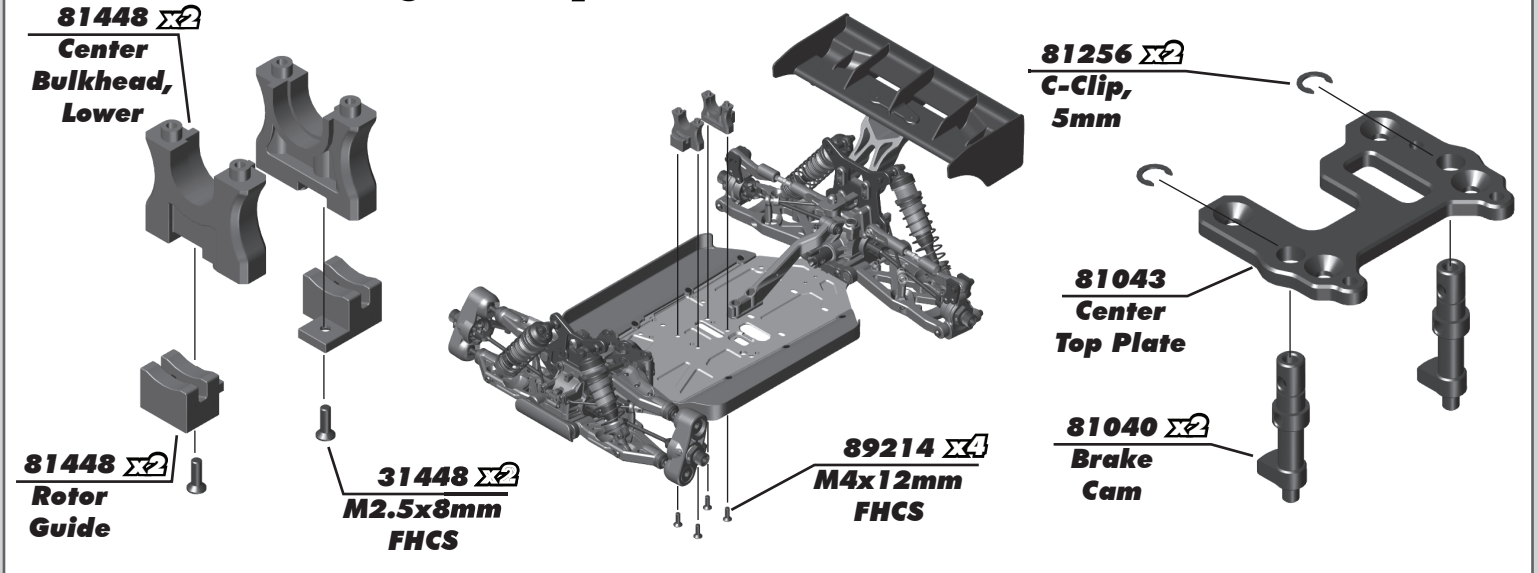
25612
M3 Locknut W/ Flange

81509
Shock Pin

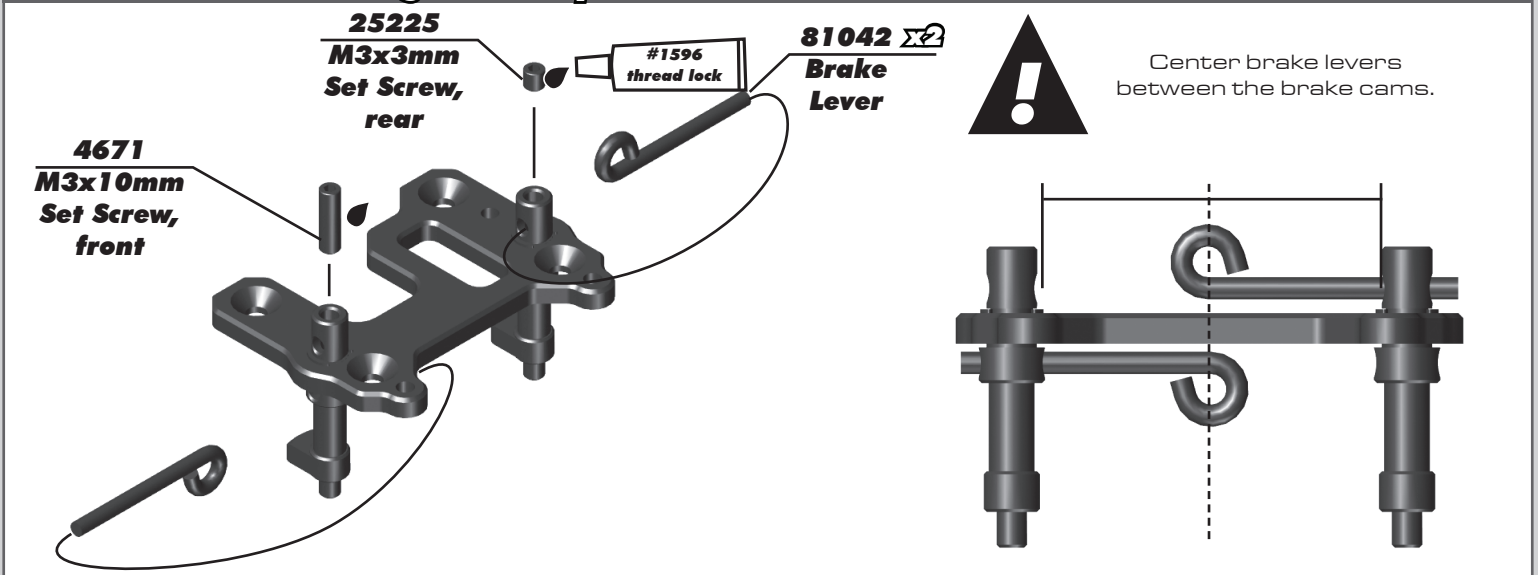


81257
M3x6mm Set Screw

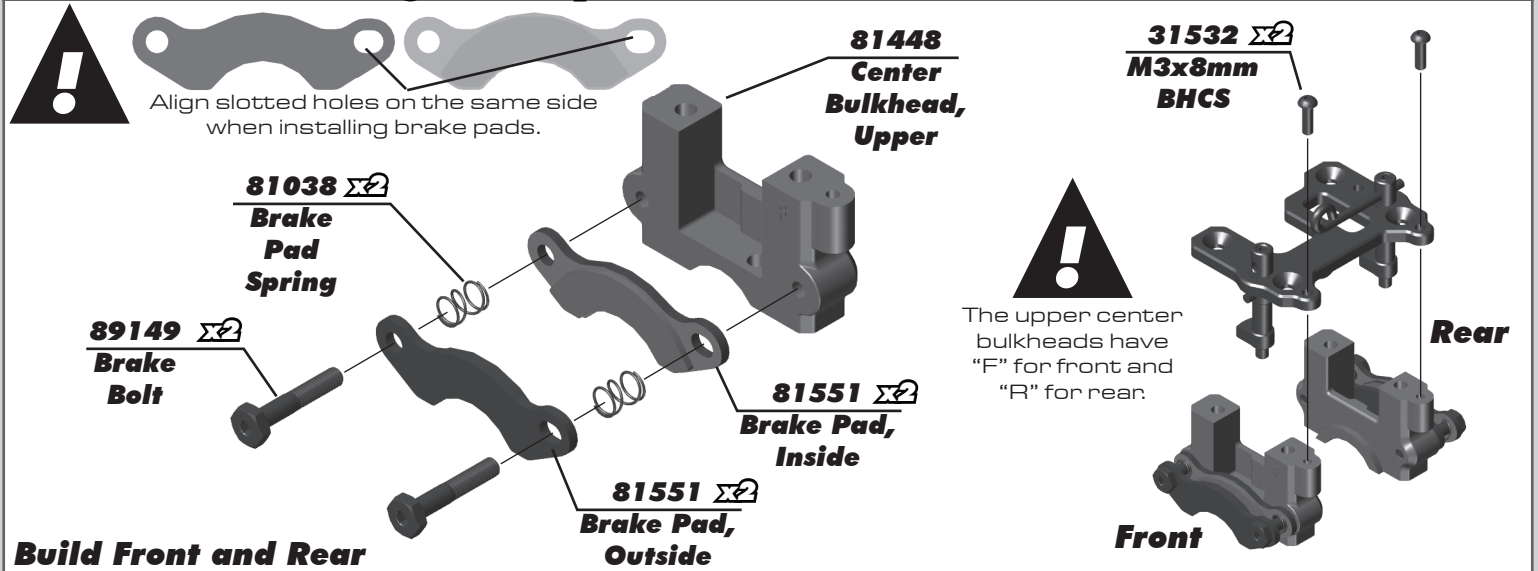
:: Center Bulkhead - Bag 9.1 - Step 1



:: Center Bulkhead - Bag 9.1 - Step 2



:: Center Bulkhead - Bag 9.1 - Step 3



:: Linkages Build - Bag 10.1 - Step 3

Spline Count



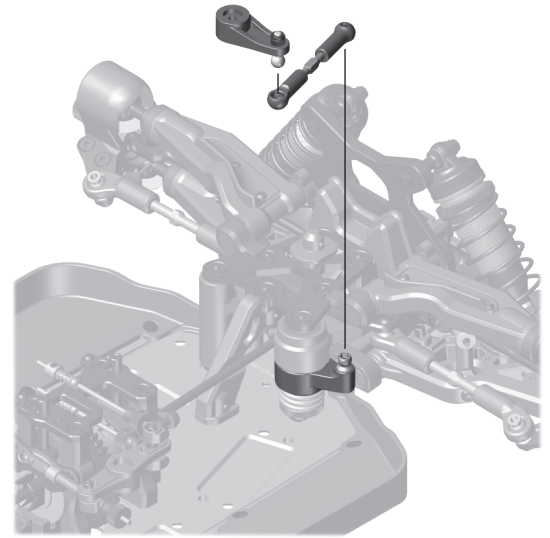
Printed here
23T
25T

81556
Servo Horn
(Steering)

81556
Servo Horn
Insert

25215
M3
Locknut

91048
HD Ball
Stud, 8mm

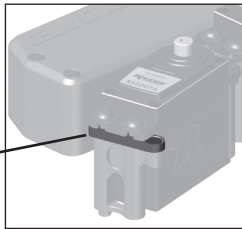


:: Radio Tray Build - Bag 11.1 - Step 1

Radio Tray Configuration:

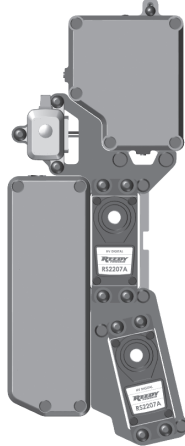
The radio tray on RC8B4 can be configured in four different ways. Each configuration changes the amount and location of flex in the chassis. Experiment with different configurations when running on different surfaces.

When removing either graphite radio tray brace or transponder mount, utilize included plastic shims to maintain proper servo height.



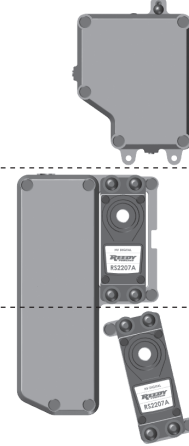
81433
Radio Tray
Spacer

Option 1



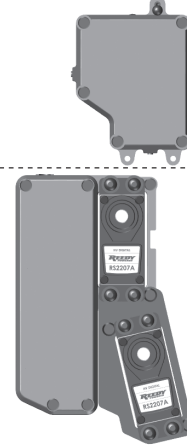
Least Flex
(Kit Setup)

Option 2



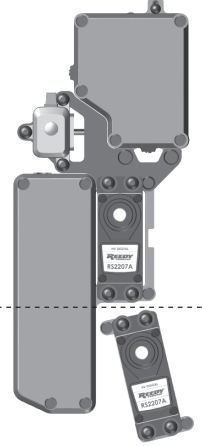
Most Flex

Option 3



More Rearward
Flex

Option 4



More Frontward
Flex

:: Radio Tray Build - Bag 11.1 - Step 2

31448 x4
2.5x8mm
FHCS

81592
FT Radio
Brace, RWB

41094 x4
3x14mm
LP SHCS

41094 x4
3x14mm
LP SHCS

81450
Transponder
Mount

81433 x2
Radio
Tray Post

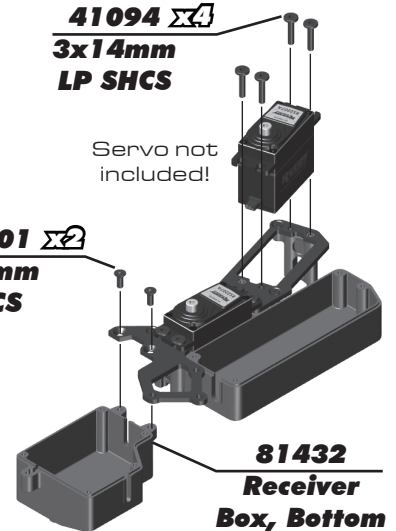
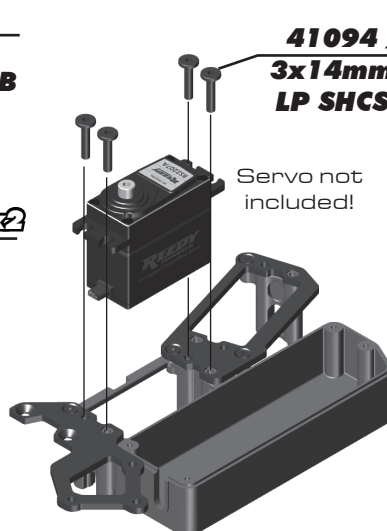
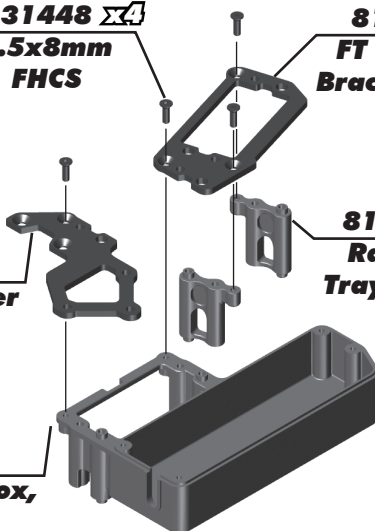
Servo not
included!

Servo not
included!

81432
Battery Box,
Bottom

25201 x2
3x8mm
FHCS

81432
Receiver
Box, Bottom



:: Radio Tray Build - Bag 11.1 - Step 3

42007 X2
Receiver Box Grommet

42007 X2
Grommet Plug

Receiver Battery not included!

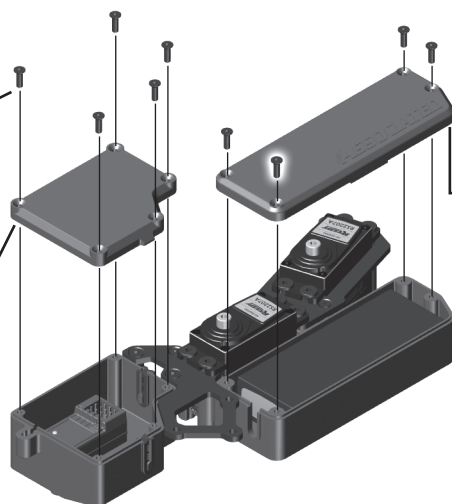
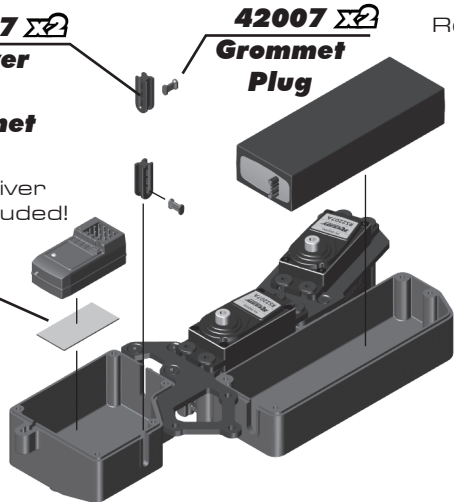
Receiver not included!

6727
Servo Tape

31448 X9
2.5x8mm FHCS

81432
Receiver Box, Top

81432
Battery Box, Top



:: Radio Tray Build - Bag 11.1 - Step 4

25225
3x3mm Set Screw

25211 X3
3x10mm BHCS

On/Off switch not included!

25211 X2
3x10mm FHCS

#1596
thread lock

6338
Antenna Tube and Cap

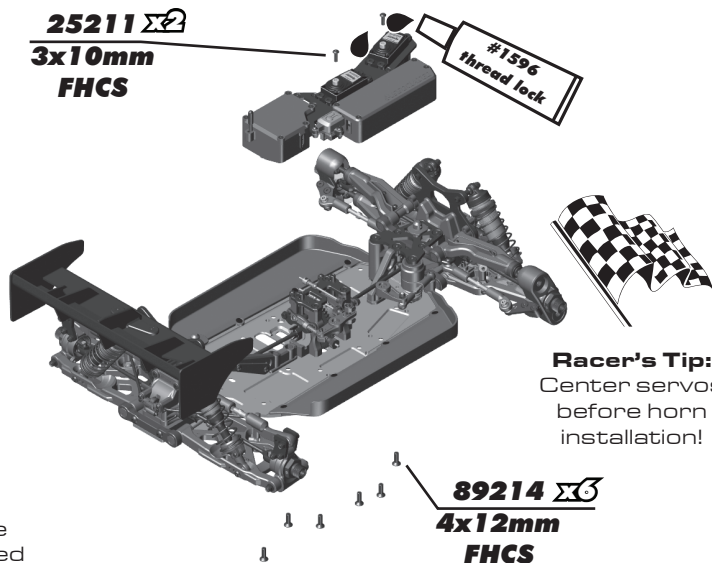
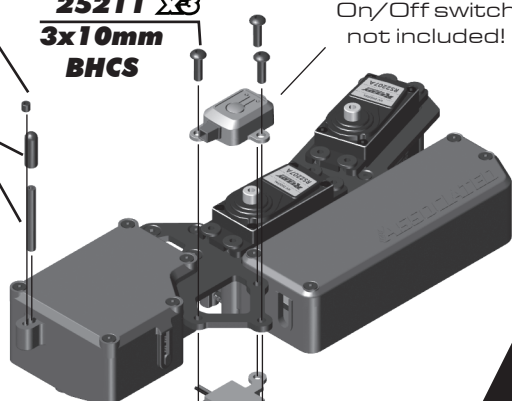
Transponder not included!

25215 X3
M3 Locknut

The switch and transponder positions can be reversed if desired

Racer's Tip:
Center servos before horn installation!

89214 X6
4x12mm FHCS



:: Clutch / Filter Build - Bag 12.1, 12.2 - Step 1

Engine not included!

81372
Flywheel Nut

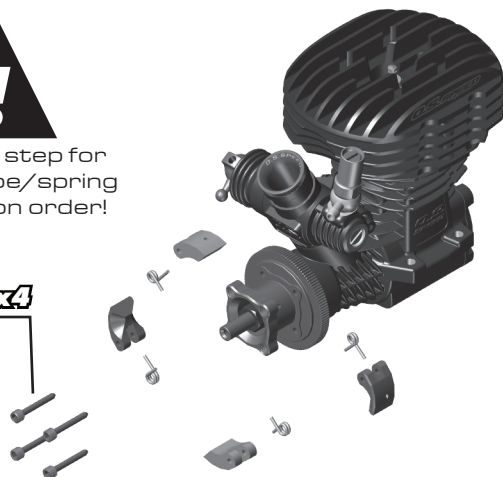
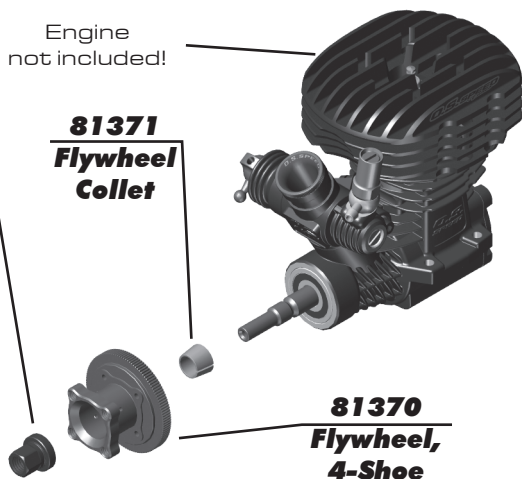
81371
Flywheel Collet

81370
Flywheel, 4-Shoe

See next step for clutch shoe/spring installation order!

81373 X4
Clutch Shoe Pins

Racer's Tip:
Use a small amount of blue threadlock on the crank, do not get it into the bearing!

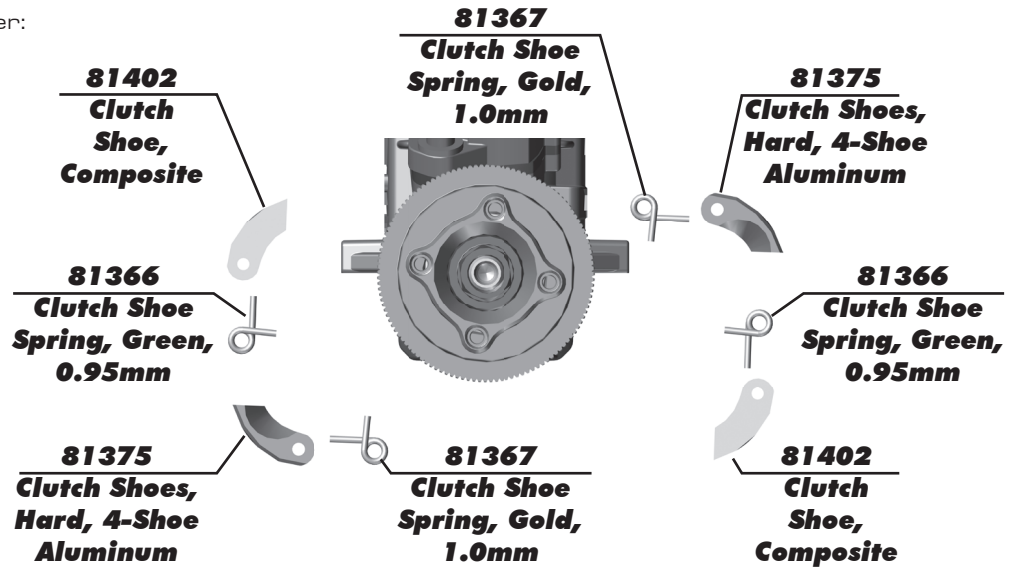


:: Clutch / Filter Build - Bag 12.1, 12.2 - Step 2

Clutch Shoe / Spring Installation Order:



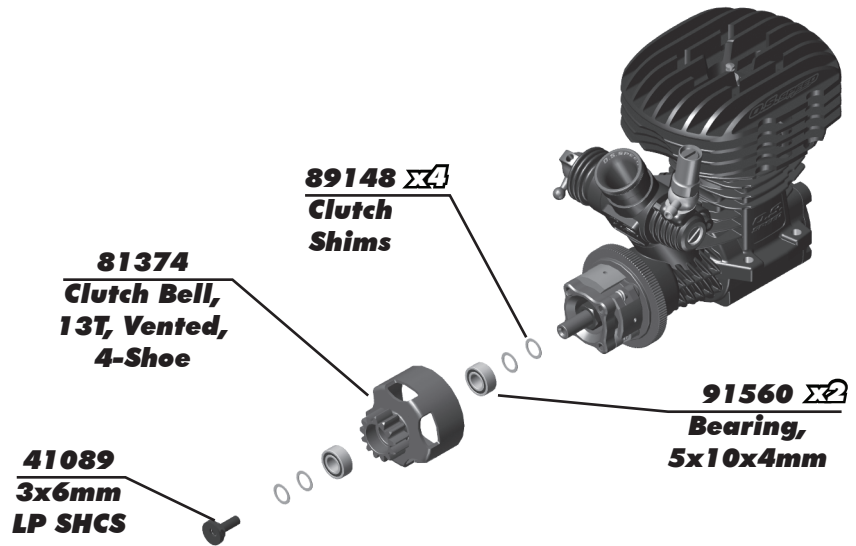
Short end of clutch shoe spring installed into flywheel.
Long end of clutch shoe spring installed into clutch shoe.



:: Clutch / Filter Build - Bag 12.1, 12.2 - Step 3

Clutch shimming instructions:

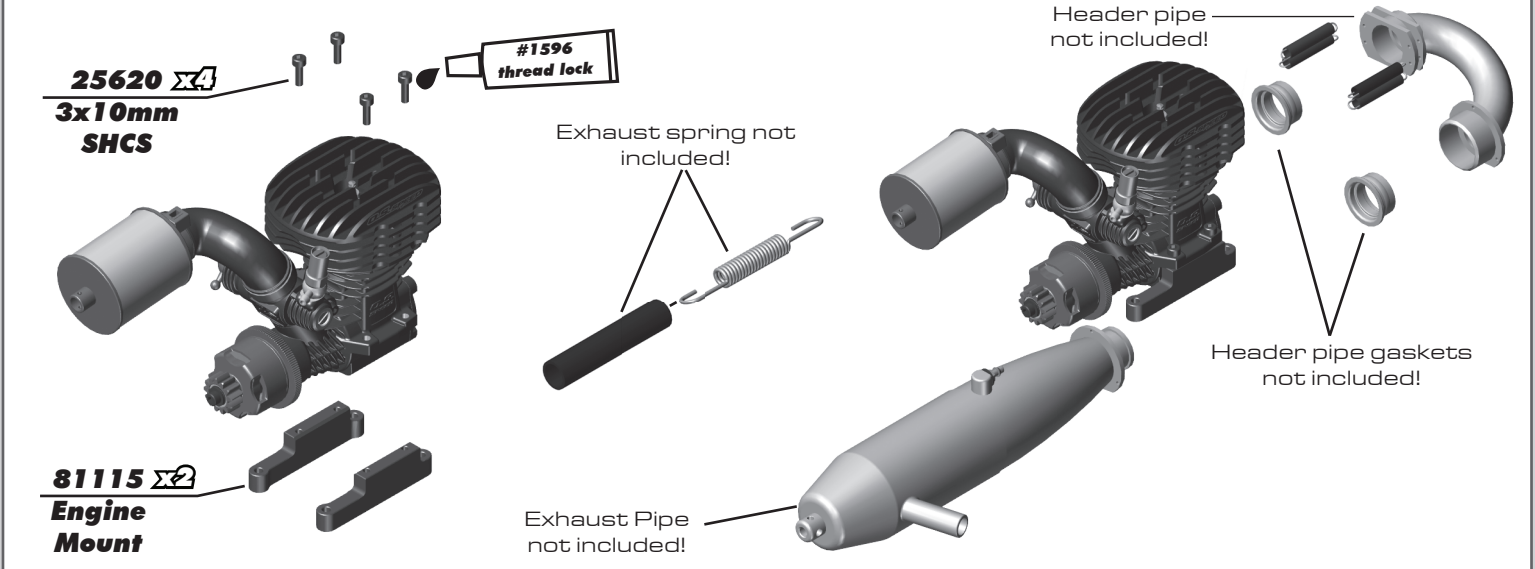
- Build assembly with shims as shown
- If clutch bell does not spin freely:
Move shim from behind clutch bell to in front of clutch bell
- OR-
- Remove one shim from front of clutch bell
- Recommended axial play in clutch bell = 0.2mm - 0.5mm



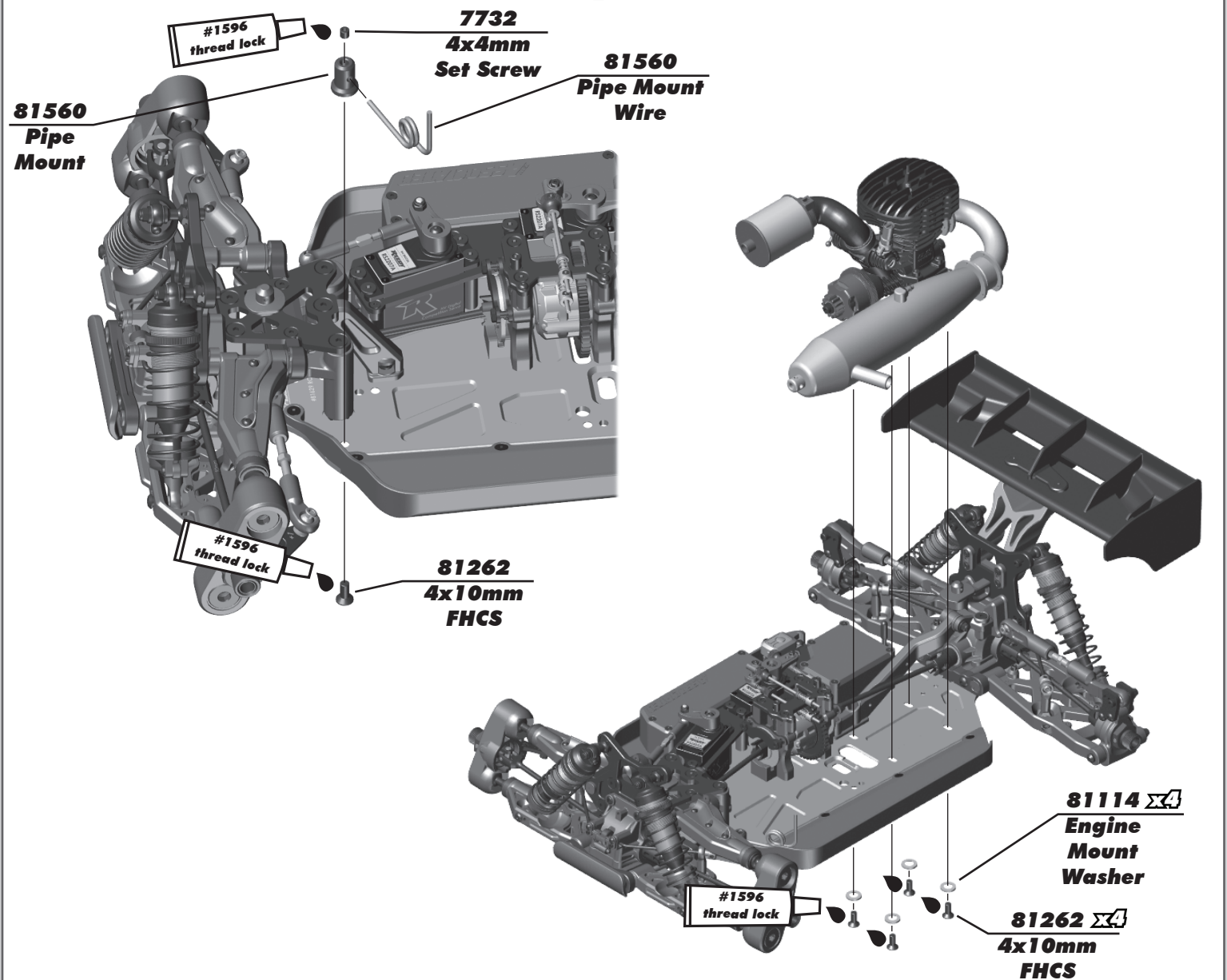
:: Clutch / Filter Build - Bag 12.1, 12.2 - Step 4



:: Clutch / Filter Build - Bag 12.1, 12.2 - Step 5



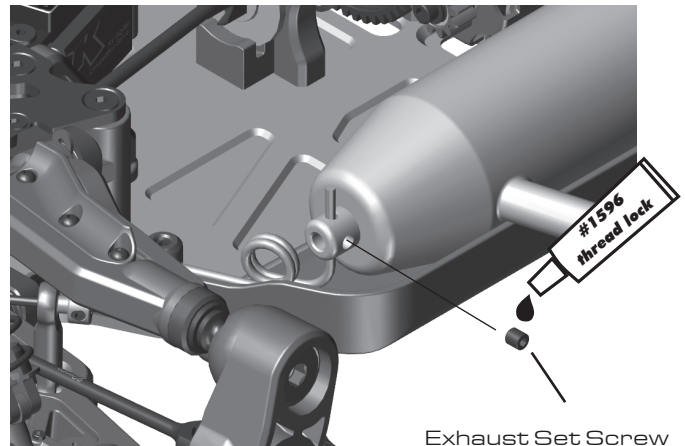
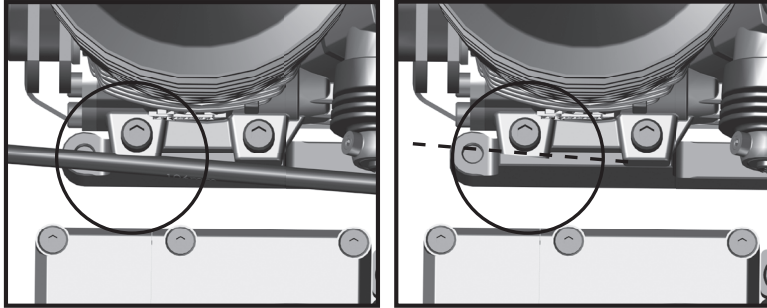
:: Clutch / Filter Build - Bag 12.1, 12.2 - Step 6



:: Clutch / Filter Build - Bag 12.1, 12.2 - Step 7



When installing your engine, make sure the rear drive shaft does not interfere with the engine block. You may need to remove material from the engine block for fitment.



Exhaust Set Screw not included!

:: Fuel Tank Build - Bag 13.1, 13.2 - Step 1

41090 $\Sigma 2$
3x10mm LP SHCS

81558 $\Sigma 2$
Fuel Tank Grommet

2 **81557** $\Sigma 2$
Fuel Tank Post

81559
Fuel Tank Lid Puller

81557
Fuel Tank Clip

81557
Fuel Tank

89203 $\Sigma 2$
3x16mm BHCS

31520
2.5x6mm BHCS

7724
Fuel Tubing (Cut to 22mm long)

1 **81262** $\Sigma 2$
4x10mm FHCS

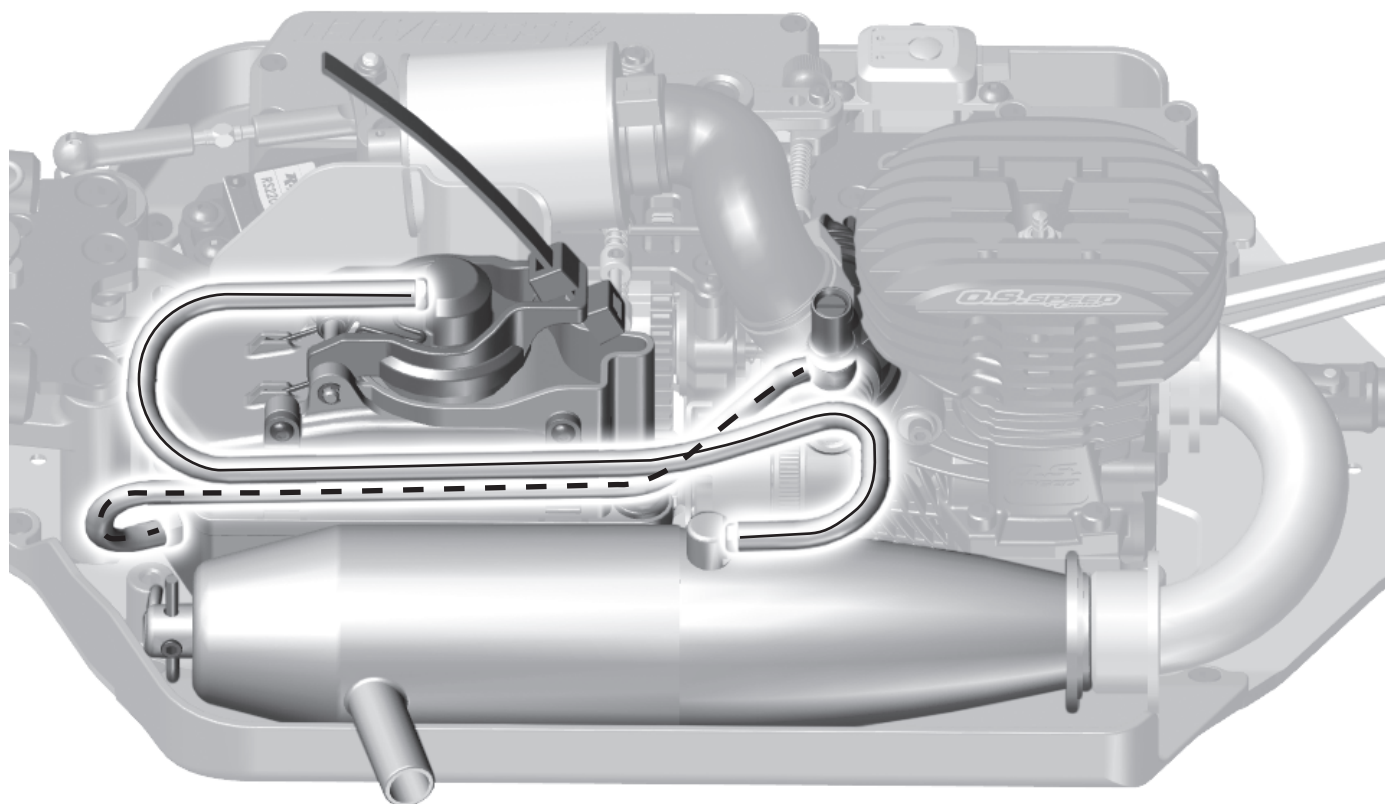


Racer's Tip: Install fuel tank posts to chassis before installing the fuel tank.

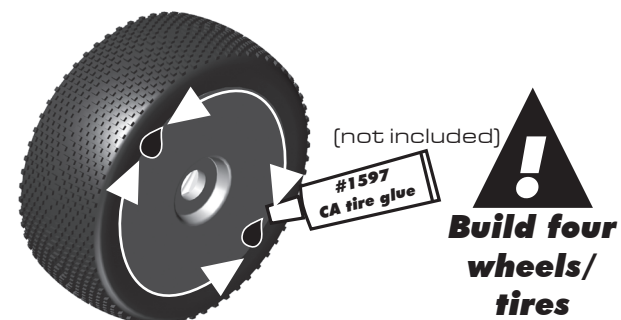
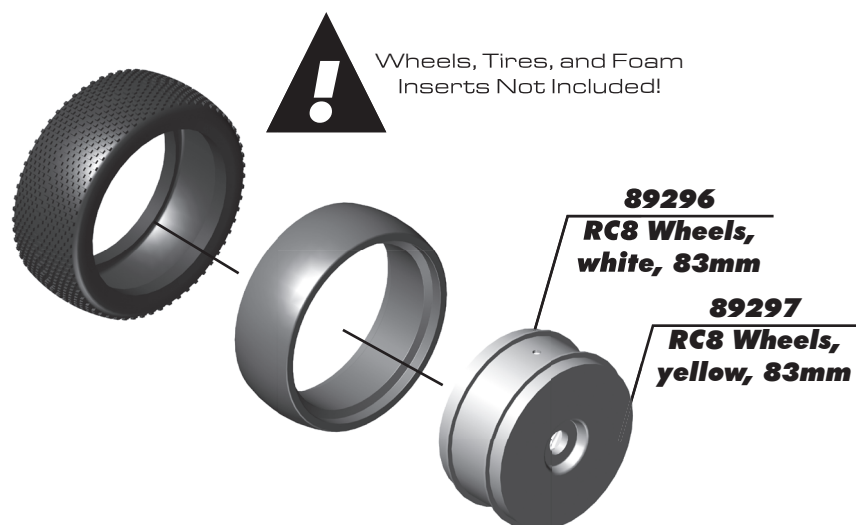
:: Fuel Tank Build - Bag 13.1, 13.2 - Step 2

**Pressure line from
fuel tank lid to
exhaust pipe**

**Fuel line from fuel
tank to carburetor**



:: Wheels / Tires / Body - Misc. - Step 1



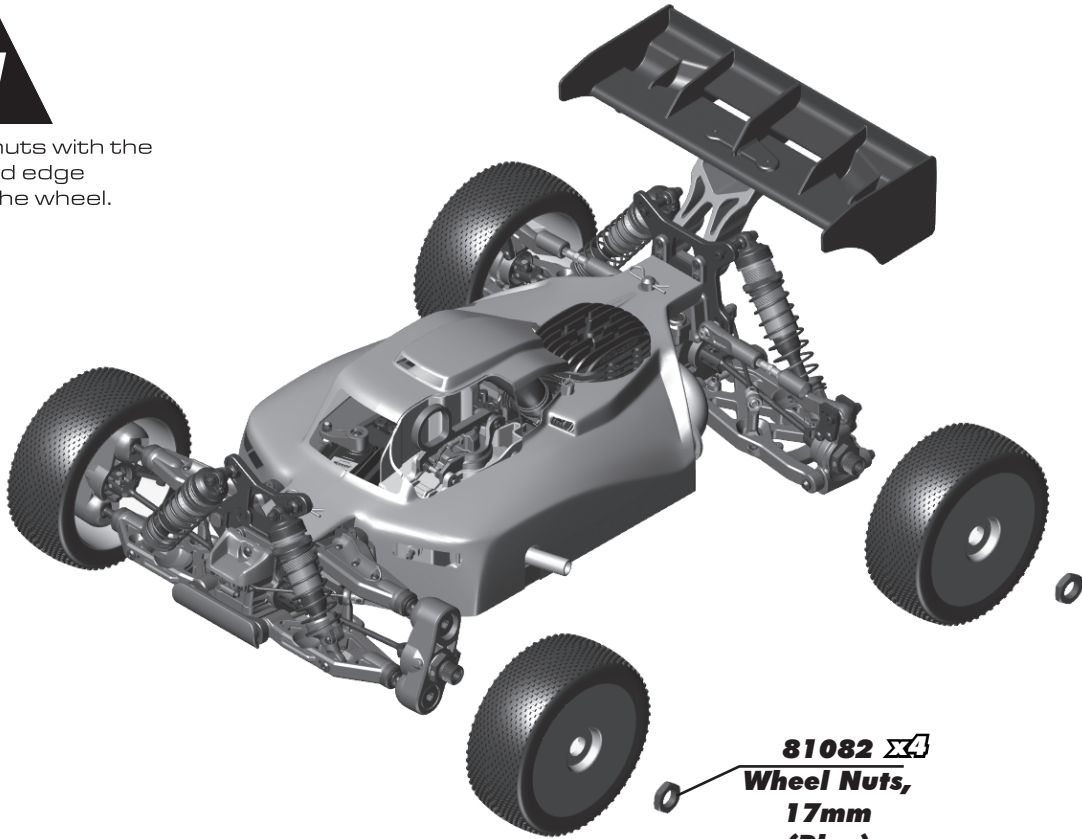
Tires:

When gluing tires to wheels, use a fast-curing tire glue (CA) [AE # 1597]. This is available at your local hobby shop. Make sure to clean the mounting surface of the tire and wheel with alcohol for best adhesion.

:: Wheels / Tires / Body - Misc. - Step 2



Install wheel nuts with the serrated edge towards the wheel.



81082 x4
Wheel Nuts,
17mm
(Blue)

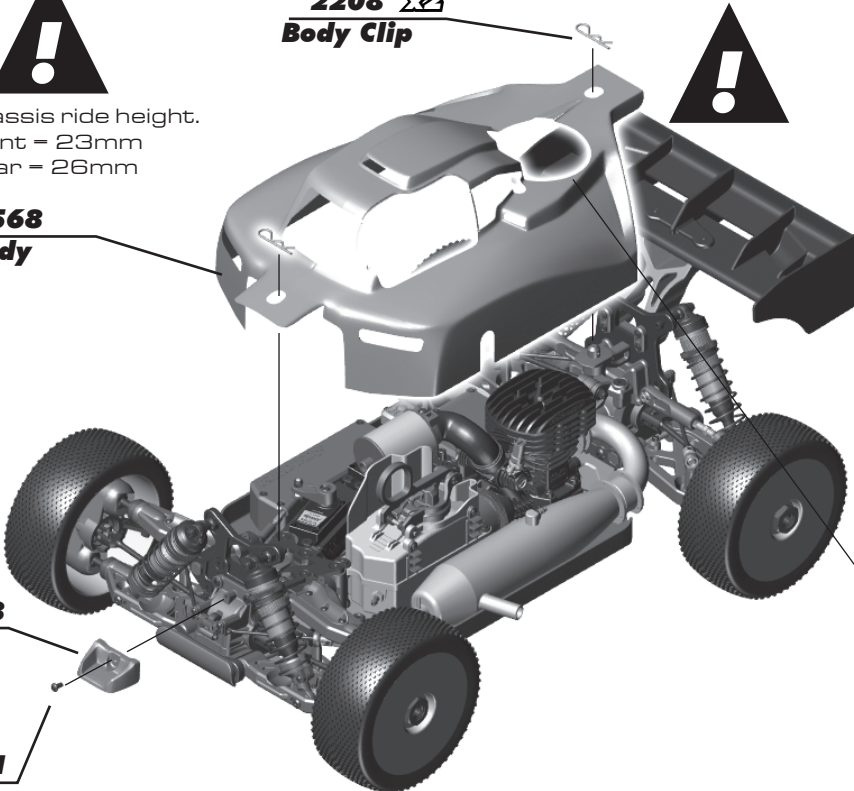
:: Wheels / Tires / Body - Misc. - Step 3



Final chassis ride height.
Front = 23mm
Rear = 26mm

81568
Body

2208 x2
Body Clip



81568
Nose
Cone

31531
3x6mm
BHCS

Painting Tips:

Your kit comes with a clear polycarbonate body. You will need to prep the body before you can paint it. Wash the inside thoroughly with warm water and liquid detergent. Dry the body using a clean, soft, lint-free cloth. Install the window masks on the inside of the body. (RC cars get painted on the inside). Using high quality masking tape, apply tape to the inside of the body to create a design. Spray (either rattle can or airbrush RC specific paint) the paint to the inside of the body (preferably dark colors first, lighter colors last).

NOTE: use ONLY paint that is recommended for use with (polycarbonate) plastics. If you do not, you can destroy the polycarbonate body!

After painting, cut the body along the trim lines. Make sure to drill or use a body reamer to make the holes for the body mounts and antenna!



Kit RWB chassis uses the rear engine, tuning, and exhaust outouts. Please check before trimming as your engine / pipe may vary.

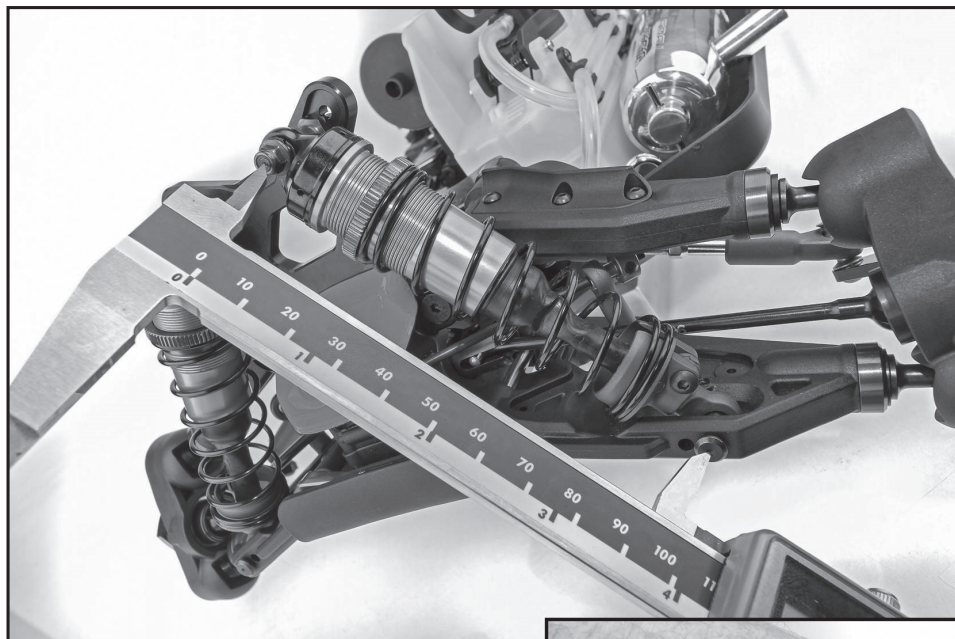
:: Droop Settings

Set droop by measuring overall length of shock (from standoff to shock pin) while the chassis is elevated above your working surface. The shocks should be fully extended.

Kit setup for front droop is 101 mm shock length, and 126 mm shock length for the rear "C" hole.

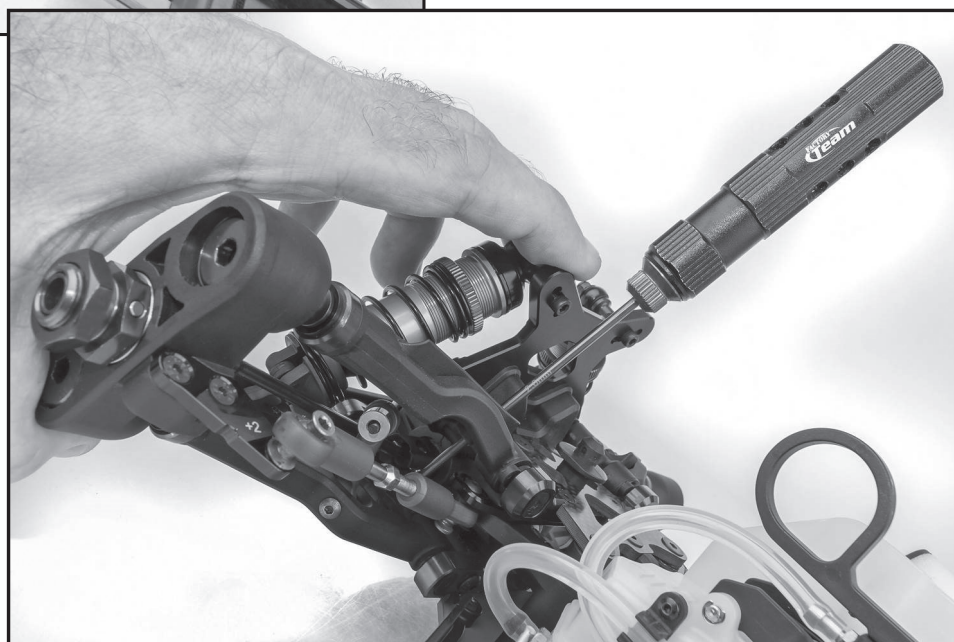
If the shock length is too long, adjust by turning the droop screws clockwise.

If the shock length is too short, adjust by turning the droop screws counter-clockwise.



Racer's Tip:

Use 123mm for the middle "B" rear arm hole, and +2 or 0 eyelet.



Front Droop: Increasing front droop (loosen droop screws) will increase off-throttle steering. It also allows the front end to lift more, giving more rear grip and less front grip on-power. Remember to never loosen the screws beyond the FULL DROOP setting. Decreasing front droop (tighten droop screws) yields more on-power steering and quicker response at the expense of some stability in bumpy sections. It will also give less off-throttle steering.

Rear Droop: Increasing rear droop (loosen droop screws) will increase traction in bumpy sections, but will reduce high-speed stability. Remember to never loosen the screws beyond the FULL DROOP setting. Decreasing rear droop (tighten droop screws) will increase stability in high speed sections, but will reduce stability in bumpy sections.

Setup Sheets:

To find different setups for your kit, visit our website, <https://www.associatedelectrics.com/teamassociated/> and click on the "Setup Sheets" link, and then the link to your model. Our team of professional drivers help develop these setups at races worldwide. Additionally, most drivers have a "base" setup that they use as a starting point for most races. Try running some of our base setups or look for track conditions and tires that are similar to your local track and replicate that setup. Remember, each adjustment has a purpose, so copy everything from the setup sheet and then make adjustments based on the recommendations in here.

FIND IT ON ASSOCIATEDELECTRICS.COM

CARS & TRUCKS



Vehicle Spare Parts

GO TO:

[AssociatedElectrics.com](#) →
[Team Associated tab](#) →
[Cars & Trucks](#) →
[Scroll to your vehicle](#) →
[Parts & Accessories link](#)

SETUP SHEETS & MANUALS



Setups and Manuals

GO TO:

[AssociatedElectrics.com](#) →
[Team Associated tab](#) →
[Manuals & Setups](#) →
[Scroll to your vehicle](#)

A-TEAM APPS



Tuning Guides & Tips

GO TO:

[AssociatedElectrics.com](#) →
[Support](#) →
[A-Team Apps](#)



Associated Electrics, Inc.

21062 Bake Parkway Lake Forest, CA 92630 USA

call: (949) 544-7500 - fax: (949) 544-7501

**Check out the following web sites for all of our kits, current products,
new releases, setup help, tips, and racing info!**

www.AssociatedElectrics.com

FOLLOW US ON SOCIAL MEDIA



TeamAssociated
ReedyPower
ElementRC
Factory Team



@TeamAssociatedRC
@ReedyPower
@Element_RC
@FactoryTeam_RC



@Team_Associated
@ReedyPower



@Associated_Electrics